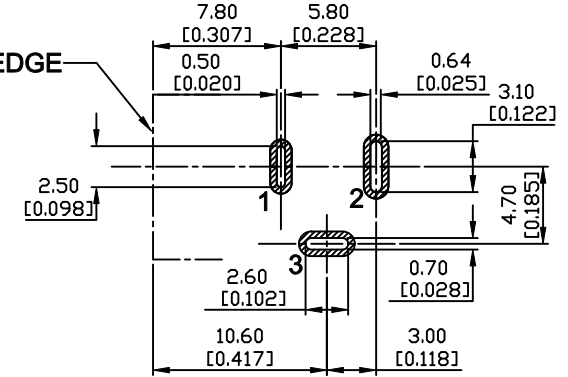
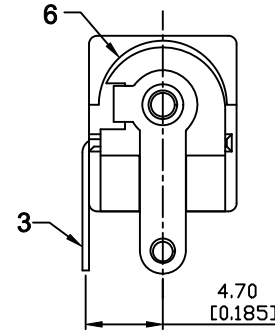
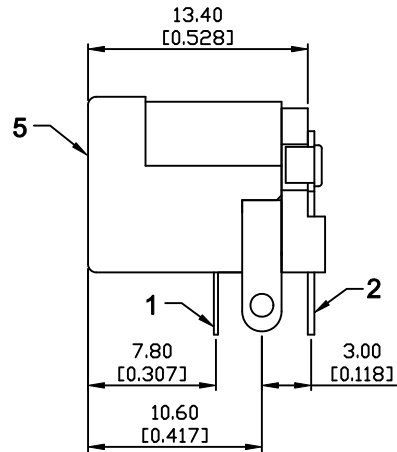
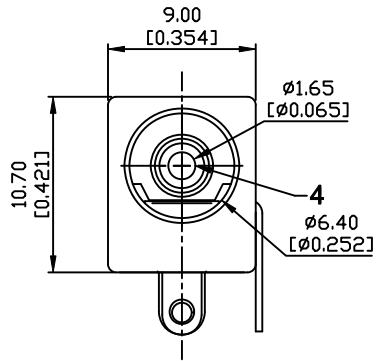
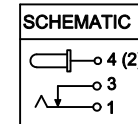
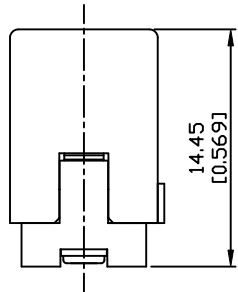


NO.	NAME	MATERIAL	PLATING
1	PIN TERM.	PHOS. BRONZE	Tin-Plated
2	PIN TERM.	BRASS	Tin-Plated
3	PIN TERM.	BRASS	Tin-Plated
4	CENTER PIN	BRASS	Ni-Plated
5	HOUSING	PBT	
6	HOUSING COVER	PBT	

REV	ZONE	REVISION	DATE	APPD.



**SUGGESTED PCB LAYOUT
TOP VIEW**



Allconnectors

www.allconnectors.eu | info@allconnectors.eu
Tel. +49 (0)711 / 358 110 20 | Fax +49 (0)711 / 358 110 25

COMPUTER NO.

UNIT

SCALE

PART NAME

D : \DWG \ 2014

mm

1 : 1

DC POWER JACK

APPD.

CKD.

DWG.

DATE

TOLERANCE



REV.

MODEL

SHD-2014C-T

PAGE 1 OF 1

Aaron

Eric

2009-12-17

0.000mm iØ 0.075mm
0.00 mm iØ 0.15 mm
0.0 mm iØ 0.25 mm

A.0