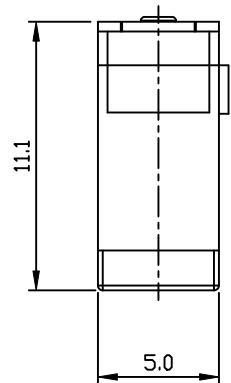
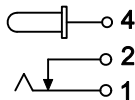


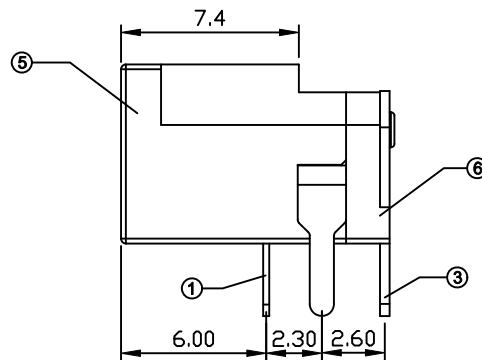
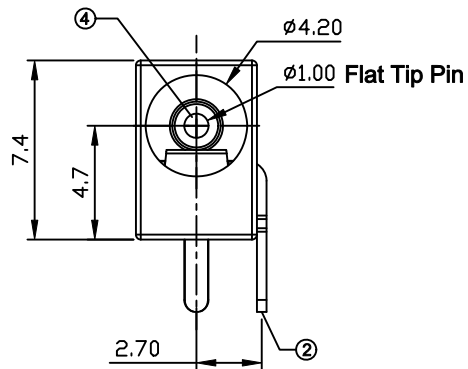
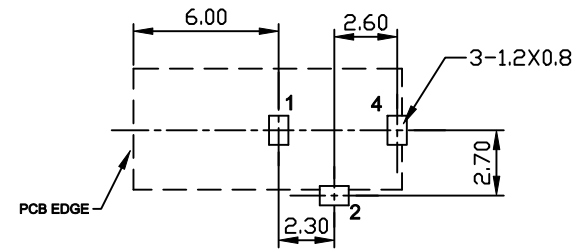
1	2	3	4	5	6	7	8
REV	ZONE	REVISION				DATE	APPD.



**SCHEMATIC**



**SUGGESTED PCB LAYOUT  
TOP VIEW**



NO.	NAME	MATERIAL	PLATING
1	PIN TERM.	PHOS. BRONZE	Tin-Plated
2	PIN TERM.	BRASS	Tin-Plated
3	PIN TERM.	BRASS	Tin-Plated
4	CENTER PIN	BRASS	Ni-Plated
5	HOUSING	PBT	
6	HOUSING COVER	PBT	

**Allconnectors**

www.allconnectors.eu | info@allconnectors.eu  
Tel. +49 (0)711 / 358 110 20 | Fax +49 (0)711 / 358 110 25

COMPUTER NO.

UNIT

SCALE

PART NAME

D : \ DWG \ 1002

mm

1 : 1

DC POWER JACK

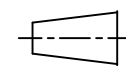
APPD.

CKD.

DWG.

DATE

TOLERANCE



REV.

MODEL

SHD-1002-T

PAGE 1 OF 1

Michael

Michael

2008-10-29

0.000mm ± 0.075mm  
0.00 mm ± 0.15 mm  
0.0 mm ± 0.25 mm

A.0