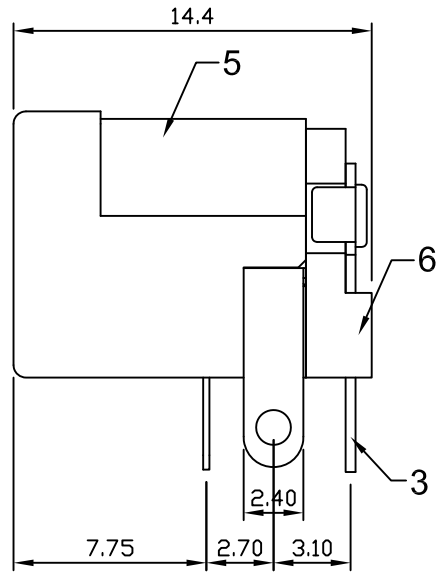
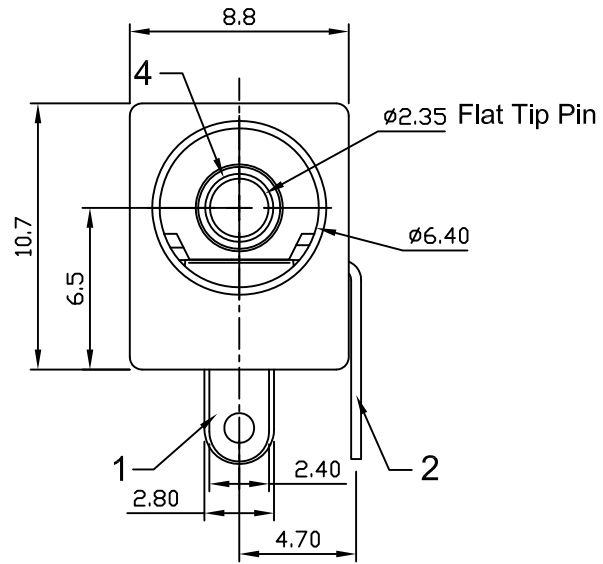
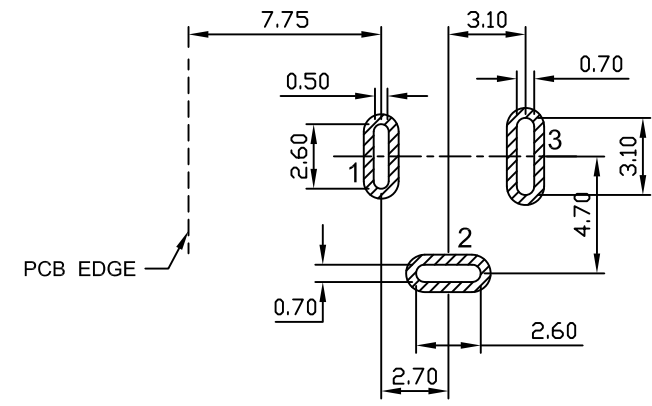


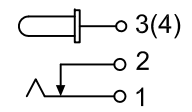
REV	ZONE	REVISION	DATE	APPD.



**SUGGESTED PCB LAYOUT
TOP VIEW**



SCHEMATIC



NO.	NAME	MATERIAL	PLATING
1	PIN TERM.	PHOS. BRONZE	Tin-Plated
2	PIN TERM.	BRASS	Tin-Plated
3	PIN TERM.	BRASS	Tin-Plated
4	CENTER PIN	BRASS	Ni-Plated
5	HOUSING	PBT	
6	HOUSING COVER	PBT	

Allconnectors

www.allconnectors.eu | info@allconnectors.eu
Tel. +49 (0)711 / 358 110 20 | Fax +49 (0)711 / 358 110 25

COMPUTER NO.			UNIT	SCALE	PART NAME	
D : \DWG \ 2014			mm	1 : 1	DC POWER JACK	
APPD.	CKD.	DWG.	DATE	TOLERANCE		REV.
	Michael	Sunny	2009-02-10	0.000mm ± 0.075mm	0.00 mm ± 0.15 mm	A.0
				0.0 mm ± 0.25 mm		

MODEL	ASHD-2014F-T	PAGE 1 OF 1
-------	--------------	-------------

