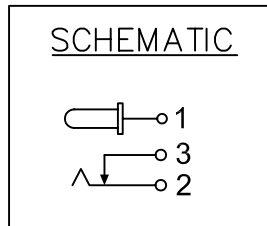
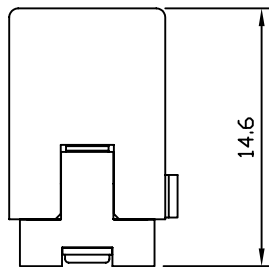
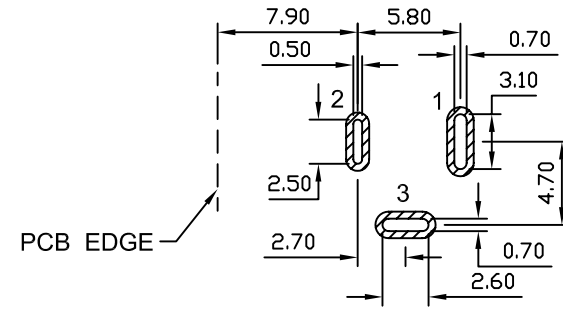
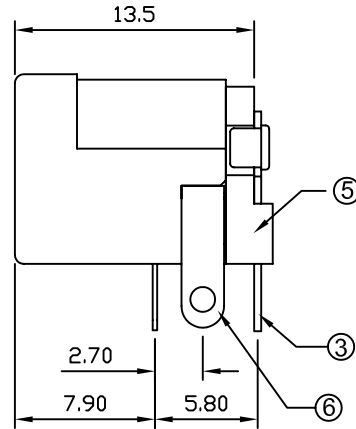
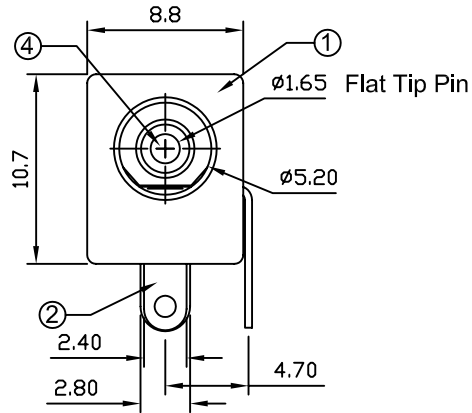


REV	ZONE	REVISION	DATE	APPD.

**SUGGESTED PCB LAYOUT
TOP VIEW**



NO.	NAME	MATERIAL	PLATING
1	HOUSING	PBT	
2	PIN TERM.	PHOS. BRONZE	Tin-Plating
3	PIN TERM.	BRASS	Tin-Plating
4	CENTER PIN	BRASS	Ni-Plating
5	HOUSING COVER	PBT	
6	PIN TERM.	BRASS	Tin-Plating

Allconnectors

www.allconnectors.eu | info@allconnectors.eu
Tel. +49 (0)711 / 358 110 20 | Fax +49 (0)711 / 358 110 25

COMPUTER NO.			UNIT	SCALE	PART NAME	
D : \ DWG \ ASHD-2014C-T			mm	1 : 1	DC POWER JACK	
APPD.	CKD.	DWG.	DATE	TOLERANCE		REV.
	Michael	David	2007-11-19	0.000mm ± 0.075mm	0.00 mm ± 0.15 mm	A.0
				0.0 mm ± 0.25 mm		

MODEL ASHD-2014C-T PAGE 1 OF 1

