

| | | | |
|-----------|---|-------------------|--|
| SCHEMATIC | A | $\varnothing 2.0$ | |
| | B | $\varnothing 2.5$ | |
| | | | |

UNLESS OTHERWISE SPECIFIED, TOLERANCE ON DECIMAL: ± 0.3

| LTR | PART NAME | QTY | MATERIAL | REMARK |
|-----|--------------|-----|------------|--------------------|
| 6 | COVER | 1 | PF | |
| 5 | CONTACT FOOT | 1 | C2680 | MB:Cu Cu/Sn PLATED |
| 4 | PIN | 1 | C2680 | MB:Cu Ni PLATED |
| 3 | SPRING | 1 | 65Mn STEEL | MB:Cu Cu/Sn PLATED |
| 2 | FLAT PIECE | 1 | C2680 | MB:Cu Cu/Sn PLATED |
| 1 | HOUSING | 1 | PBT | |

RoHS Compliant

All connectors

www.allconnectors.de
Tel.: 0049 711 7009503
70794-Filderstadt - Germany

info@allconnectors.de
Fax: 0049 711 7009504
Ketteimerstr. 25

DRAWING BY CY
CHECKED BY GENIUS
UNIT / mm SCALE 1:1
DATE
SIZE A4

TOLERANCES ARE
X \pm
.X \pm
.XX \pm
.XXX \pm
ANG \pm

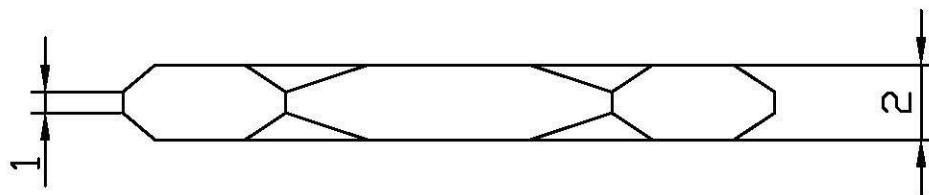
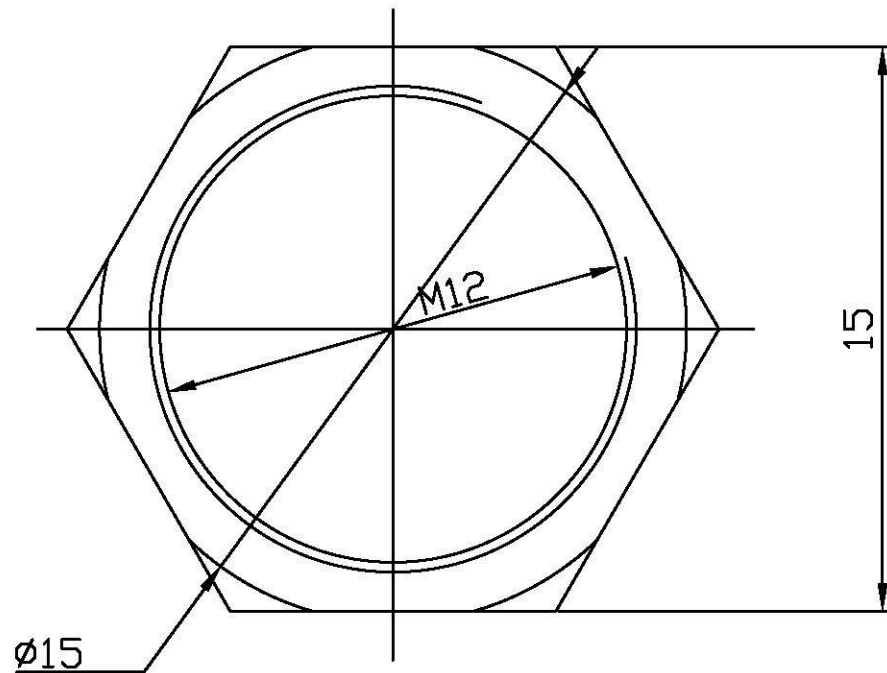
P PROJECTION



ORDER INFORMATION

DCJ-SPBHN-xx-LF
SERIES | NUT | H TYPE | PANEL BACK | SOLDER | LEADFREE
20:2.0 \varnothing
25:2.5 \varnothing

DESCRIPTION: DC POWER JACK



| | | | | |
|-----|-----------|-----|----------|--------|
| 1 | NUT | 1 | PBT | |
| LTR | PART NAME | QTY | MATERIAL | REMARK |

RoHS Compliant

TOLERANCES ARE

All Connectors

DRAWING BY CY

X ±

CHECKED BY GENIUS

.X ±

UNIT / mm

SCALE 1 : 1

.XX ±

DATE

.XXX ±

SIZE A4

PPOJECTION

ANG ±



ORDER INFORMATION

DCJ-SPBHN-xx-LF
 SERIES | NUT | H TYPE | PANEL BACK | SOLDER | LEADFREE
 20:2.0Ø
 25:2.5Ø

DESCRIPTION: NUT

www.allconnectors.de
 Tel.: 0049 711 7009503
 70791 Filderstadt - Germany

info@allconnectors.de
 Fax: 0049 711 7009504
 Kettnerstr. 25