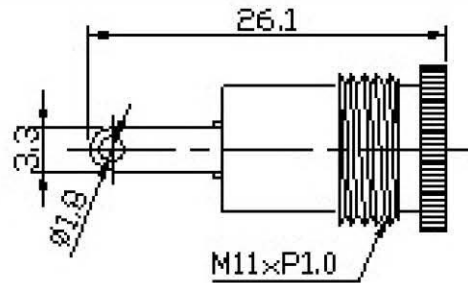
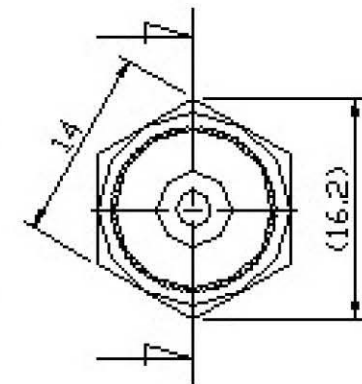
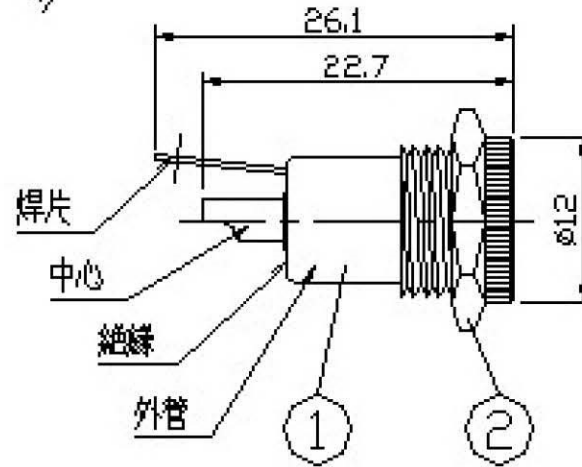
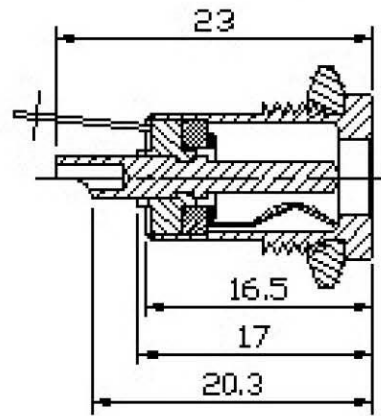
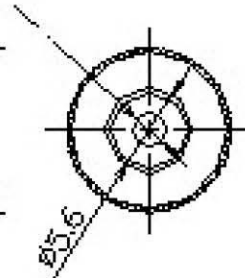
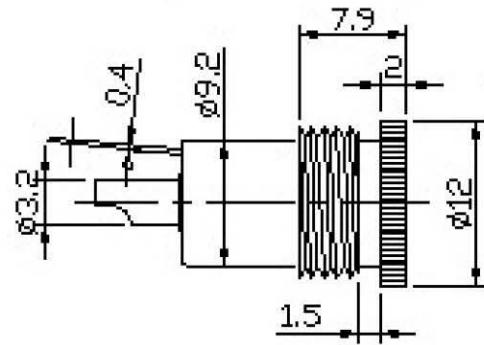
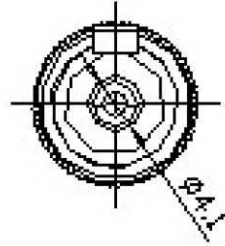
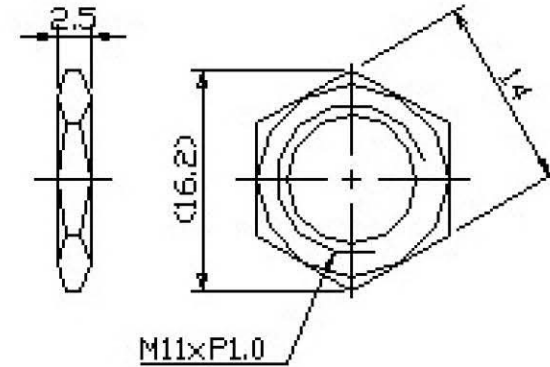


1



2



中心 ϕ 2.1
中心 ϕ 2.5

RoHS Compliant

TOLERANCES ARE

All Connectors

DRAWING BY CY

X ±

CHECKED BY GENIUS

X ±

UNIT / mm

SCALE 1 : 1

.XX ±

DATE

.XXX ±

ANG ±

SIZE A4

P PROJECTION



ORDER INFORMATION

DCJ-SPACN-xx-LF

SERIES

LEADFREE

21:2.1Ø

25:2.5Ø

NUT

C TYPE

PANEL FRONT

SOLDER

www.allconnectors.de

info@allconnectors.de

Tel.: 0049 711 7009503

Fax: 0049 711 7009504

JU/91 Hilderstadt - Germany

kettnerstr. 2b

DESCRIPTION: