

LTR	PART NAME	QTY	MATERIAL	REMARK
6	HOUSING	1	PBT 4815	UL-94V0(BLACK)
5	AXIS SUPPORT	1	C2680	MB:Cu Ni PLATED
4	PIN	1	C2680	MB:Cu Ni PLATED
3	SPRING	1	C5191	MB:Cu Sn PLATED
2	CURVE PIECE	1	C2680	MB:Cu Sn PLATED
1	FLAT PIECE	1	C2680	MB:Cu Sn PLATED

CAT. NO.	PIN	SCHEMATIC
DCJ-SPBT5NW-20	$\phi 2.0$	1
DCJ-SPBT5NW-25	$\phi 2.5$	2 3

**All Connectors**

www.allconnectors.de  
Tel.: 0049 711 7009503  
70794 Filderstadt - Germany

info@allconnectors.de  
Fax: 0049 711 7009504  
Kettenerstr. 25

**RoHS Compliant**

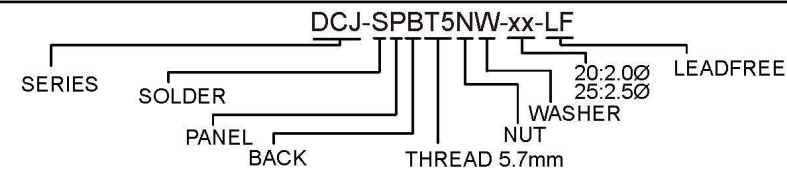
DRAWING BY CY  
CHECKED BY GENIUS  
UNIT / mm SCALE 1 : 1  
DATE  
SIZE A4

TOLERANCES ARE

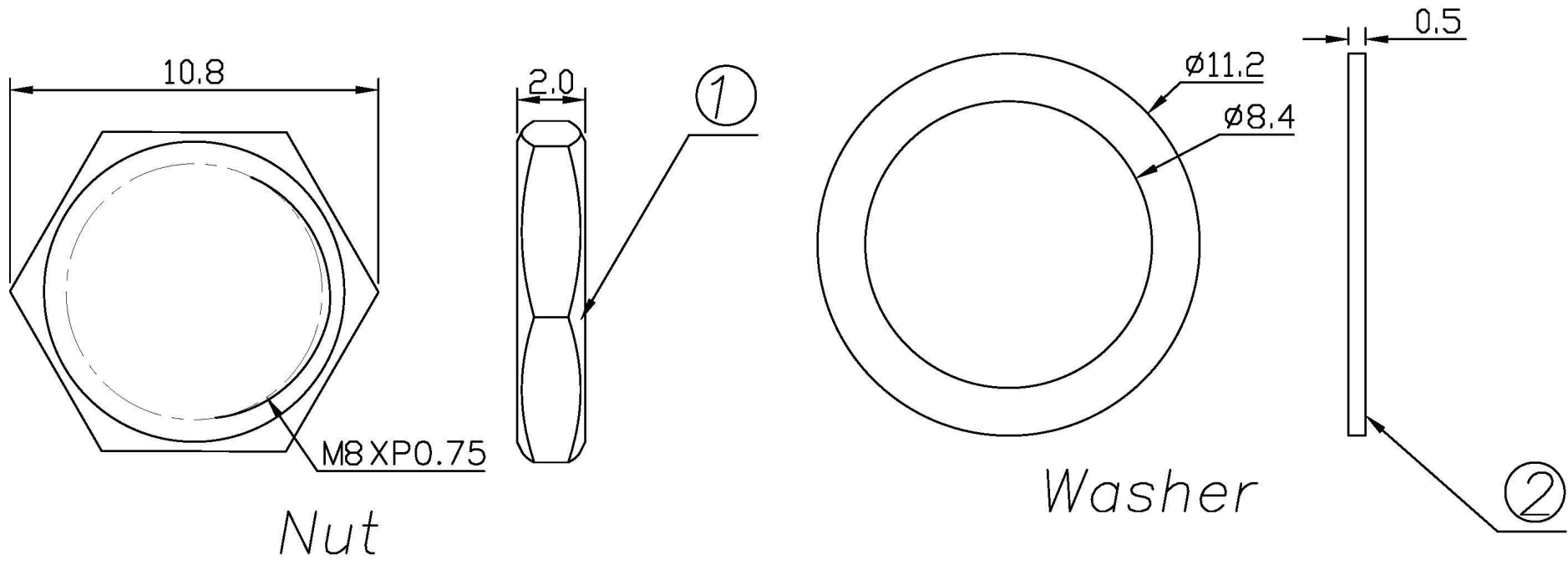
X ±  
.X ±  
.XX ±  
.XXX ±  
ANG ±



ORDER INFORMATION



DESCRIPTION:



UNLESS OTHERWISE SPECIFIED, TOLERANCE ON DECIMAL: ±0.3

2	WASHER	1	H59(COPPER ALLOY)	MB:Cu	Ni	PLATED
1	NUT	1	H59(COPPER ALLOY)	MB:Cu	Ni	PLATED
LTR	PART NAME	QTY	MATERIAL	REMARK		

**RoHS Compliant**

**All Connectors**

www.allconnectors.de info@allconnectors.de  
Tel.: 0049 711 7009503 Fax: 0049 711 7009504  
70794 Filderstadt - Germany Kettenerstr. 25

DRAWING BY CY  
CHECKED BY GENIUS

UNIT / mm SCALE 1 : 1

DATE

SIZE A4 PROJECTION

TOLERANCES ARE  
X ±  
.X ±  
.XX ±  
.XXX ±  
ANG ±



**ORDER INFORMATION**

DCJ-SPBT5NW-xx-LF

SERIES SOLDER PANEL BACK WASHER NUT

20:2.0Ø  
25:2.5Ø

LEADFREE

THREAD 5.7mm

**DESCRIPTION:**