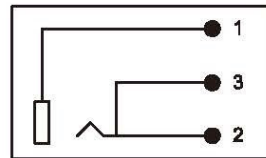
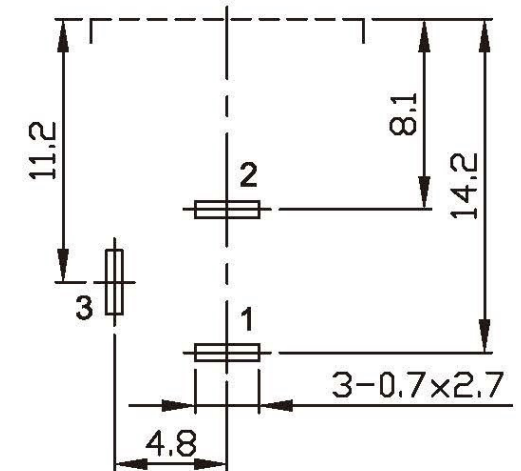


P/N	Dimension	
	A	B
DCJ-RPBT5NW-20	Ø2.0	Ø2.05
DCJ-RPBT5NW-25	Ø2.5	Ø2.55



9	WASHER	1	0.3T BRASS	NICKEL	
8	NUT	1	2.1T BRASS	NICKEL	
7	HOUSING	1	PBT		BLACK
6	INSULATOR	2	RED VULCANITED FIBRE		RED
5	PIN	1	COPPER	NICKEL	
4	BUSHING	1	BRASS	NICKEL	
3	PIN TERMINAL	1	BRASS	SILVER	
2	BREAK TERMINAL	1	BRASS	SILVER	
1	SLEEVE SPRING	1	P.B.S	SILVER	
NO	PART NAME	Q'TY	MATERIAL	PLATED	REMARK



**P.C.B LAYOUT (± 0.1)
(BOTTOM VIEW)**

RoHS Compliant

TOLERANCES ARE

All Connectors

DRAWING BY CY

CHECKED BY GENIUS

UNIT / mm SCALE 1 : 1

DATE

SIZE A4 PROJECTION

X ±

.X ±

.XX ±

.XXX ±

ANG ±



ORDER INFORMATION



DESCRIPTION:

www.allconnectors.de
Tel.: 0049 711 7003503

70754 Filderstadt - Germany

info@allconnectors.de
Fax: 0049 711 7003504

Kettenerstr. 25