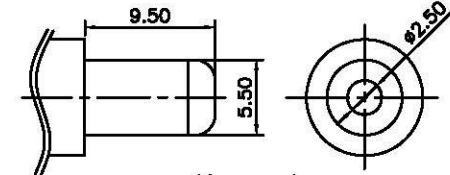
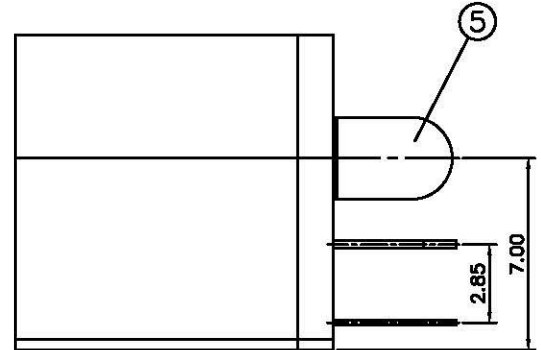
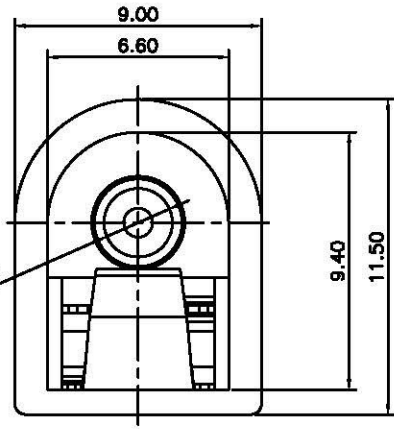
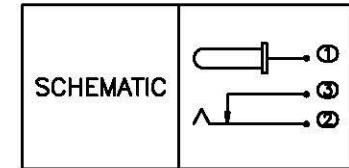


COMMENDED PCB LAYOUT(TOP VIEW)  
ALL TOLERANCE ±0.03 mm



mating plug  
(SCALE 2:1)



DCJ-DH11-xx-LF  
LEADFREE  
20:2.0 Ø  
25:2.5 Ø  
RoHS Compliant

PIN	Ø2.0	Ø2.5
FILE NO.	DCJ-DH11-20	DCJ-DH11-25

6	BACK-COVER	1	P.B.T.	BLACK	-
5	POWER TERMINAL	1	COPPER ALLOY	Nickel 80u" plated	-
4	CONTACT TERMINAL	1	STAINLESS	Nickel 80u" plated	-
3	SPRING TERMINAL	1	COPPER ALLOY	Nickel 80u" plated	-
2	MATERIAL PIN	1	COPPER ALLOY	Nickel 80u" plated	-
1	HOUSING	1	P.B.T.	BLACK	-
NO.	PART NAME	Q'TY	MATERIAL	FINISH	REMARKS

**All connectors**

www.allconnectors.de  
Tel.: 0049 711 7009503  
70791 Filderstadt - Germany

info@allconnectors.de  
Fax: 0049 711 7009504  
Kettenrainstr. 25

PART NO. DCJ-DH11-xx

DWG NO. DCJ-DH11-xx

FILE NO.

UNIT / mm SCALE 1:1

CHECKED BY CY

DRAWING BY

PROJECTION

TOLERANCES ARE

.X ±  
.XX ±  
.XXX ±  
AWG

DESCRIPTION:

DC JACK CONNECTOR  
2.5mm VERTICAL TYPE

AREA	REVISIONS	HK	DATE
------	-----------	----	------