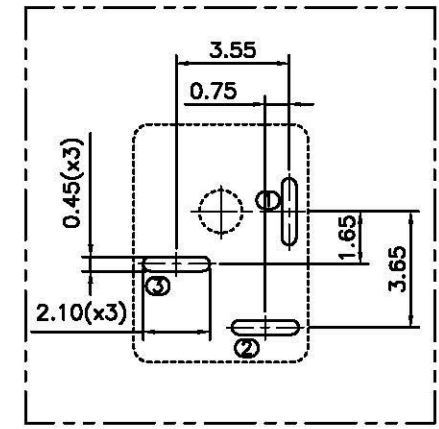
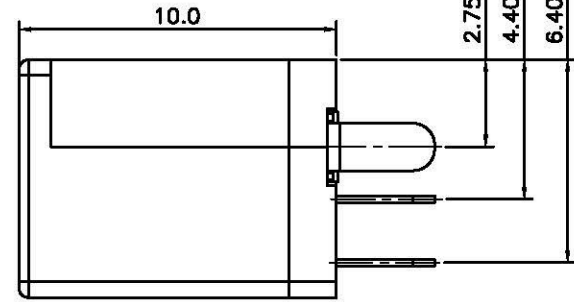
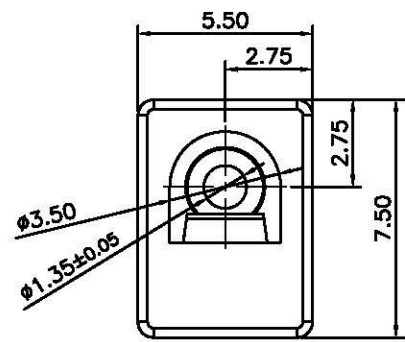
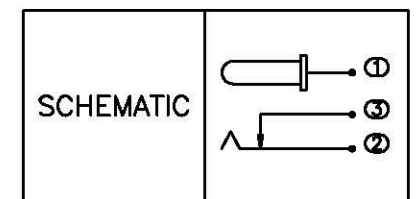
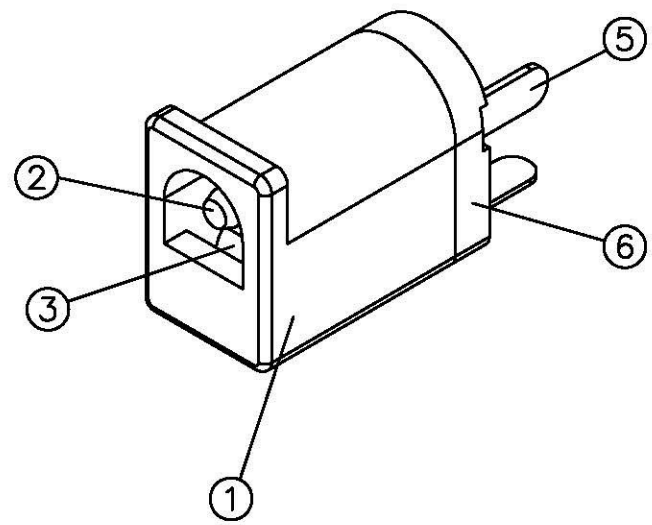
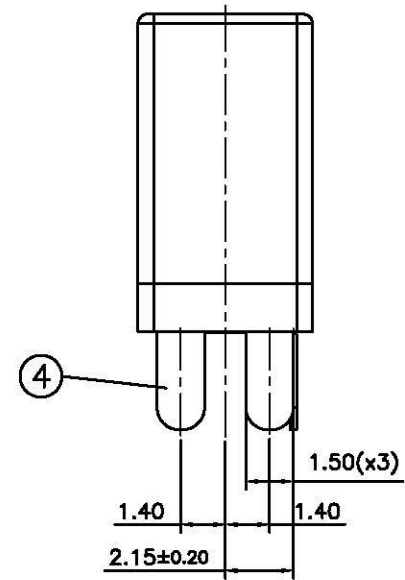


DC MATE PLUG



COMMENDED PCB LAYOUT(TOP VIEW)
ALL TOLERANCE ± 0.03 mm



DCJ-DH10-135-LF
LEADFREE
RoHS Compliant

NO.	PART NAME	Q'TY	MATERIAL	FINISH	REMARKS
6	BACK-COVER	1	P.B.T.	BLACK	-
5	POWER TERMINAL	1	COPPER ALLOY	Nickel 80u" plated	-
4	CONTACT TERMINAL	1	COPPER ALLOY	Nickel 80u" plated	-
3	SPRING TERMINAL	1	STAINLESS	Nickel 80u" plated	-
2	MATERIAL PIN	1	COPPER ALLOY	Nickel 80u" plated	-
1	HOUSING	1	P.B.T.	BLACK	-

All Connectors
www.allconnectors.de
Toll: 0049 711 7009503
70734 Filzderstadt - Germany

info@allconnectors.de
Fon: 0049 711 7009504
Ketteimerstr. 25

PART NO. DCJ-DH10-135

DWG NO. DCJ-DH10-135

FILE NO.

UNIT / mm

SCALE 1:1

CHECKED BY CY

DRAWING BY

PROJECTION

TOLERANCES ARE
X ±
.XX ±
.XXX ±
AWG

DESCRIPTION:	AREA	REVISIONS	HK	DATE
JACK DIAMETER 1.35mm				