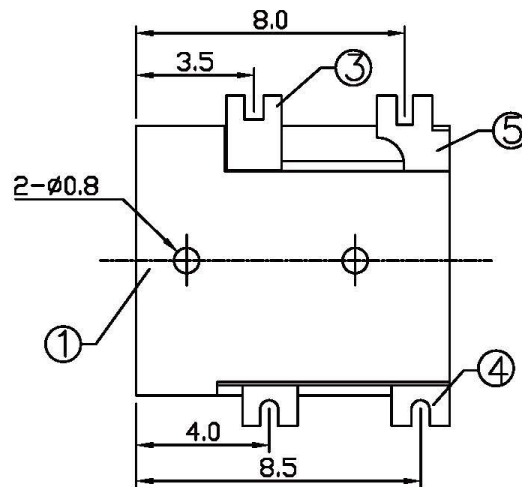
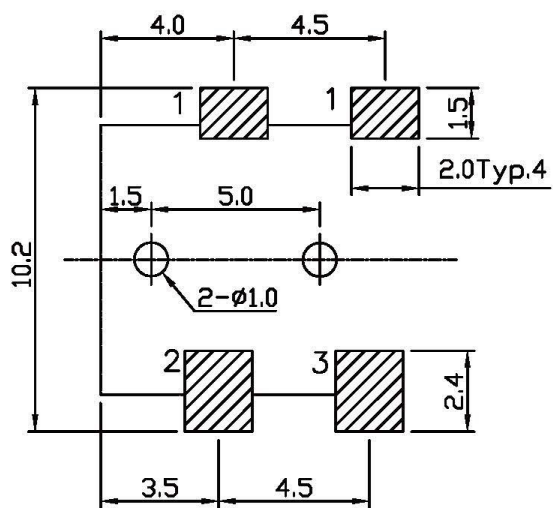
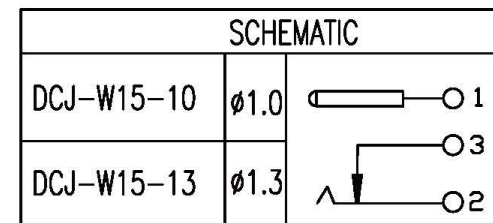


5	CURVE PIECE	1	BRASS	MB:Cu Ag	PLATED
4	CONTACT FOOT	1	BRASS	MB:Cu Ag	PLATED
3	SPRING	1	ALDARY	MB:Cu Ag	PLATED
2	PIN	1	BRASS	MB:Cu Ni	PLATED
1	HOUSING	1	PBT/PA66/PA46		
LTR	PART NAME	QTY	MATERIAL	REMARK	



**T:1.6 Dimensions of PC board holes**

Tolerance :  $\pm 0.1$ (Printed-top view)

UNLESS OTHERWISE SPECIFIED, TOLERANCE ON DECIMAL:  $\pm 0.2$

**All Connectors**

www.allconnectors.de info@allconnectors.de  
Tel.: 0049 711 7009503 Fax: 0049 711 7009504  
70794 Filderstadt - Germany Kettenerstr. 25

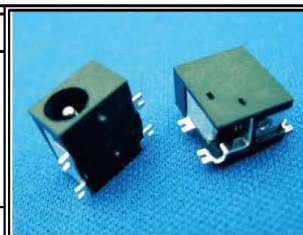
**RoHS Compliant**

DRAWING BY CY  
CHECKED BY GENIUS  
UNIT/mm SCALE 1:1  
DATE  
SIZE A4

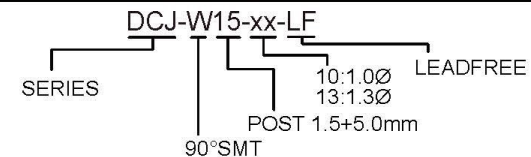
TOLERANCES ARE

X.±  
.X±  
.XX±  
.XXX±  
ANG±

PJECTION



ORDER INFORMATION



DESCRIPTION: DC POWER JACK