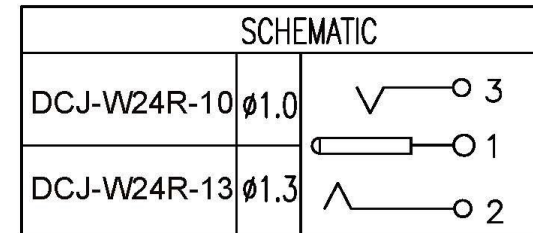


T:1.6 Dimensions of PC board holes
Tolerance : ±0.05(Printed-top view)

4	HOUSING	1	PA9T	UL-94V0(BLACK)
3	CONTACT FOOT	1	C5191	t=0.25 Ag PLATED
2	CONTACT FOOT	1	C5191	t=0.25 Ag PLATED
1	PIN FOOT	1	C2680	t=0.20 Ag PLATED
LTR	PART NAME	QTY	MATERIAL	REMARK



UNLESS OTHERWISE SPECIFIED, TOLERANCE ON DECIMAL: ±0.2

All Connectors

www.allconnectors.de
Tel.: 0049 711 7009503
70794 Filderstadt - Germany

info@allconnectors.de
Fax: 0049 711 7009504
Kettnerstr. 25

RoHS Compliant

DRAWING BY CY
CHECKED BY GENIUS
UNIT/ mm SCALE 1:1
DATE
SIZE A4

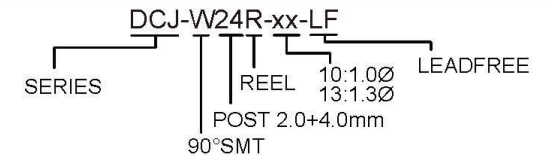
TOLERANCES ARE

X ±
X ±
.XX ±
.XXX ±
ANG ±

PROJECTION



ORDER INFORMATION



DESCRIPTION: DC POWER JACK

1 Space=1 pcs

1 Film packing box=1×500pcs
=500pcs

1 Big Carton=13×500pcs=6500pcs

1 Film packing box Dimension
=L×W×H
=8600×24×6.8

The thickness of the film=0.4mm

1 Embossed Carrier Reel Dimension
=D×H
=330×29.1

1 Cover tape Dimension
=L×W×H
=8600×21.3×0.06

1 Plastic Bag Dimension
=L×W×D
=1000×1100×0.06

1 Big Carto Dimension
=L×W×H
=400×350×340

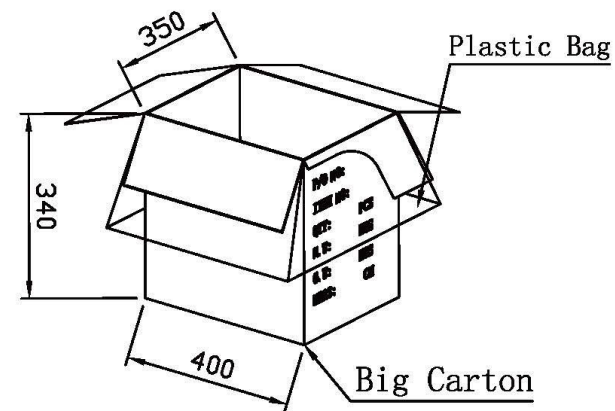
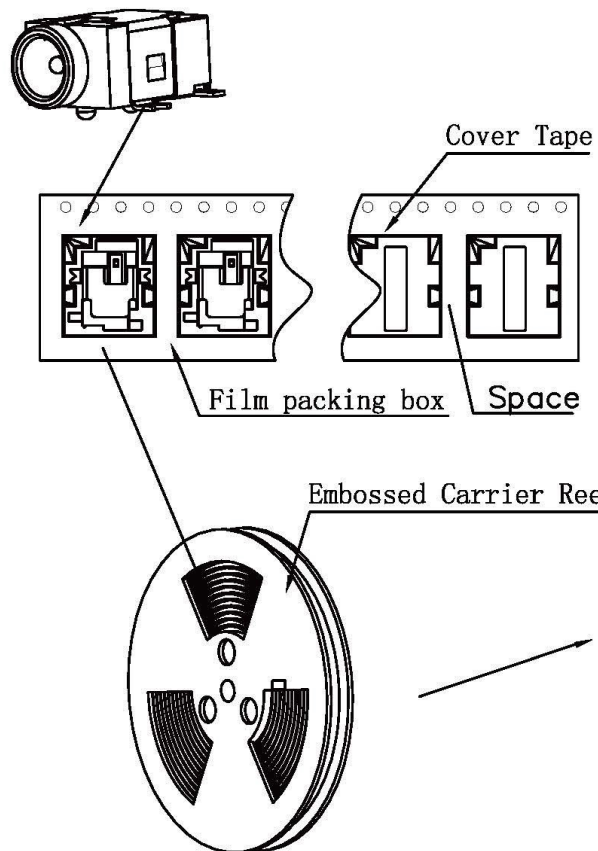
Unit:mm

Packing temperature request:
105°C~115°C

Net weight:3.5Kg

Total weight:9.0Kg

單位:mm



All Connectors

www.allconnectors.de
Tel.: 0049 711 7009503
70794 Filderstadt - Germany

info@allconnectors.de
Fax: 0049 711 7009504
Kettenerstr. 25

RoHS Compliant

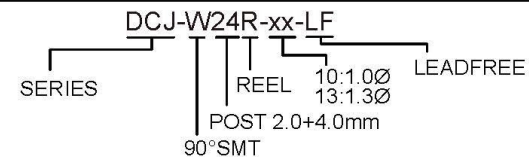
DRAWING BY CY	
CHECKED BY GENIUS	
UNIT/mm	SCALE 1:1
DATE	
SIZE A4	PJECTION

TOLERANCES ARE

X ±
.X ±
.XX ±
.XXX ±
ANG ±



ORDER INFORMATION



DESCRIPTION: