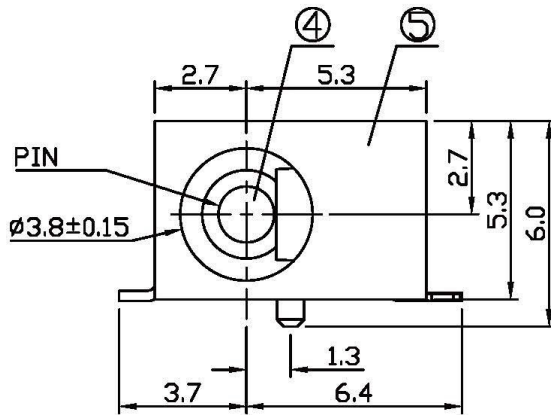


T:1.6 Dimensions of PC board holes
Tolerance : ±0.05(Printed-top view)



SCHEMATIC		
DCJ-W15R-10	∅1.0	
DCJ-W15R-13	∅1.3	

5	HOUSING	1	PA9T	UL-94V0(BLACK)
4	PIN	1	H59(COPPER ALLOY)	Cu/Sn PLATED
3	TERMINAL 3#	1	C2680 t=0.25	Ag PLATED
2	TERMINAL 2#	1	SUS301 t=0.25	Ag PLATED
1	TERMINAL 1#	1	C2680 t=0.30	Ag PLATED
LTR	PART NAME	QTY	MATERIAL	REMARK

UNLESS OTHERWISE SPECIFIED, TOLERANCE ON DECIMAL: ±0.2

All Connectors

www.allconnectors.de
Tel.: 0049 711 7009503
70794 Filderstadt - Germany

info@allconnectors.de
Fax: 0049 711 7009504
Kettnerstr. 25

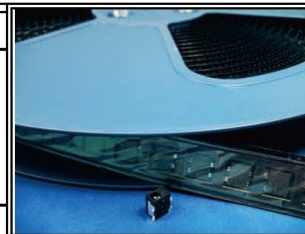
RoHS Compliant

DRAWING BY CY
CHECKED BY GENIUS
UNIT/mm SCALE 1:1
DATE
SIZE A4

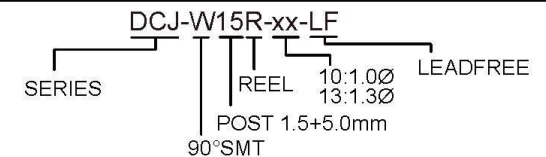
TOLERANCES ARE

X.±
.X±
.XX±
.XXX±
ANG ±

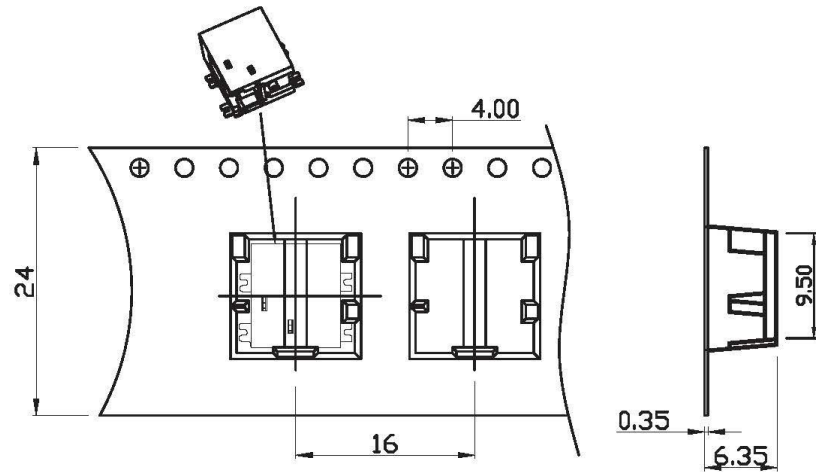
PROJECTION



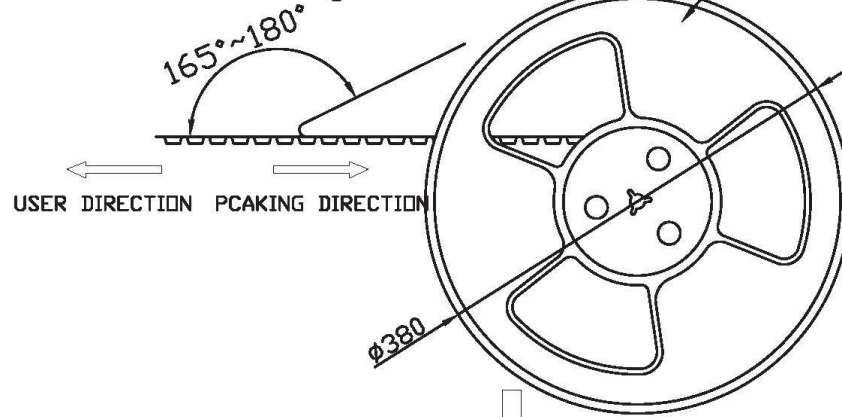
ORDER INFORMATION



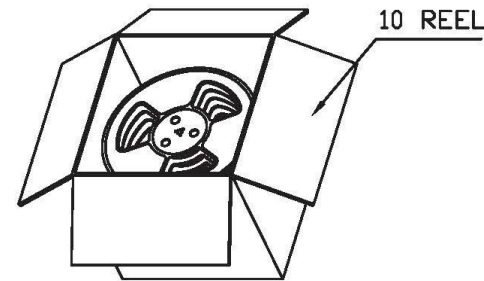
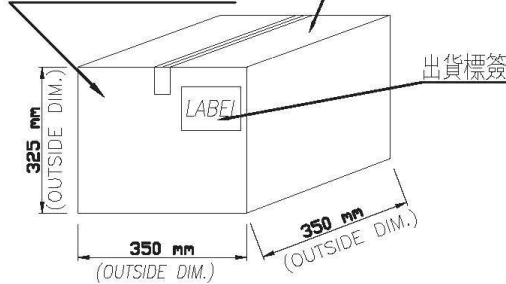
DESCRIPTION:



COVER TAPE
 PEELING ANGLE: 165°~180°
 PEELING FORCE: 20~130g



CARTON=10REEL*650PCS
 =6500PCS



包裝方式及數量:

1. 如上圖所示，產品錫腳朝下依次序放入載帶中。包裝時載帶前端空10PCS不放置產品。每卷放置產品650PCS，在卷盤上面貼好標籤。

2. 如上圖所示將包裝好的卷盤平放入外箱中，每個外箱疊放13卷卷盤，封箱貼好標籤。

合計：6500PCS/箱

All Connectors

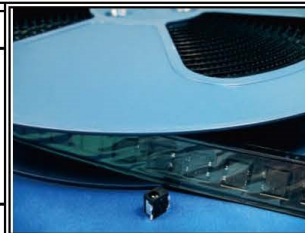
www.allconnectors.de info@allconnectors.de
 Tel.: 0049 711 7009503 Fax: 0049 711 7009504
 70794 Filderstadt - Germany Kettenerstr. 25

RoHS Compliant

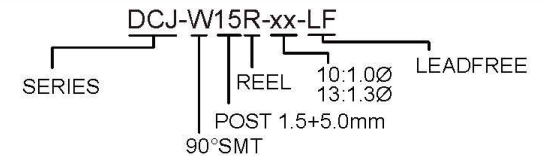
DRAWING BY CY
 CHECKED BY GENIUS
 UNIT/mm SCALE 1:1
 DATE
 SIZE A4 PROJECTION

TOLERANCES ARE

X ±
 X ±
 .XX ±
 .XXX ±
 ANG ±



ORDER INFORMATION



DESCRIPTION: