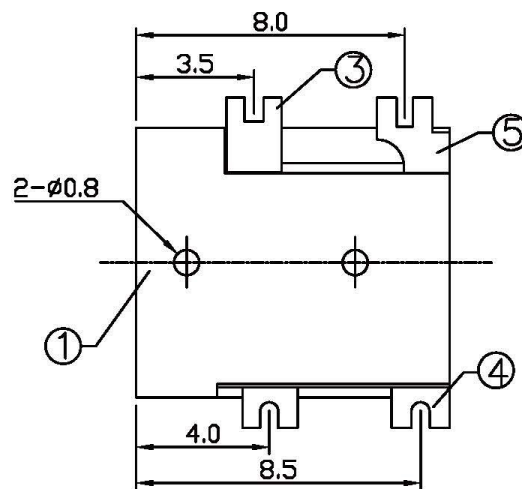
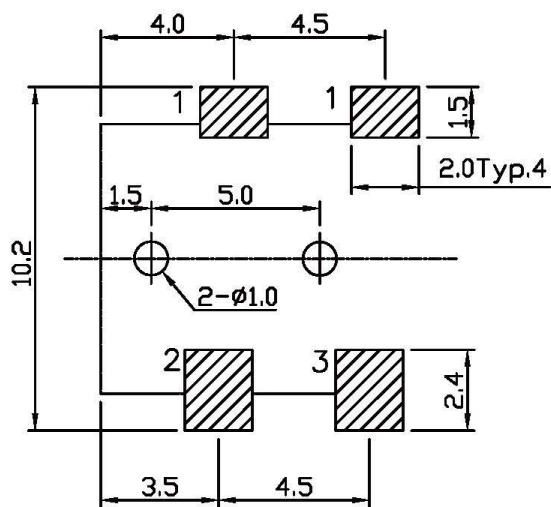
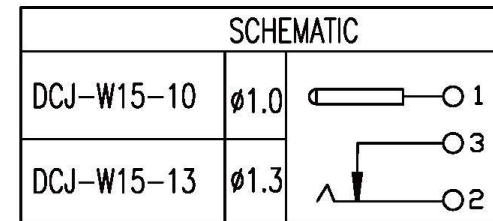


5	CURVE PIECE	1	BRASS	MB:Cu Ag	PLATED
4	CONTACT FOOT	1	BRASS	MB:Cu Ag	PLATED
3	SPRING	1	ALDARY	MB:Cu Ag	PLATED
2	PIN	1	BRASS	MB:Cu Ni	PLATED
1	HOUSING	1	PBT/PA66/PA46		
LTR	PART NAME	QTY	MATERIAL	REMARK	



T:1.6 Dimensions of PC board holes

Tolerance : ± 0.1 (Printed-top view)

UNLESS OTHERWISE SPECIFIED, TOLERANCE ON DECIMAL: ± 0.2

All Connectors

www.allconnectors.de
Tel.: 0049 711 7009503
70794 Filderstadt - Germany

info@allconnectors.de
Fax: 0049 711 7009504
Kettenerstr. 25

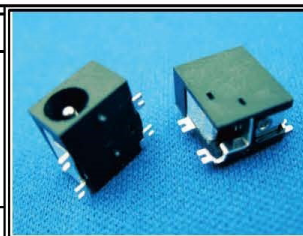
RoHS Compliant

DRAWING BY CY
CHECKED BY GENIUS
UNIT/mm SCALE 1:1
DATE
SIZE A4

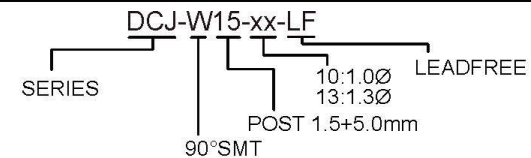
TOLERANCES ARE

X.±
.X±
.XX±
.XXX±
ANG±

PJECTION



ORDER INFORMATION



DESCRIPTION: DC POWER JACK