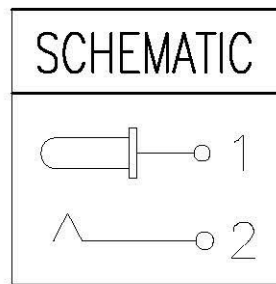
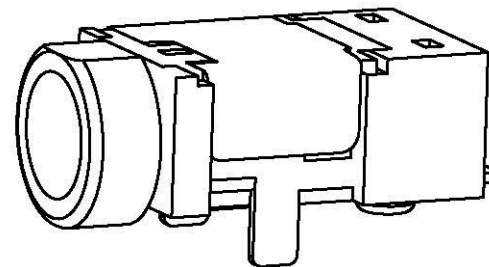
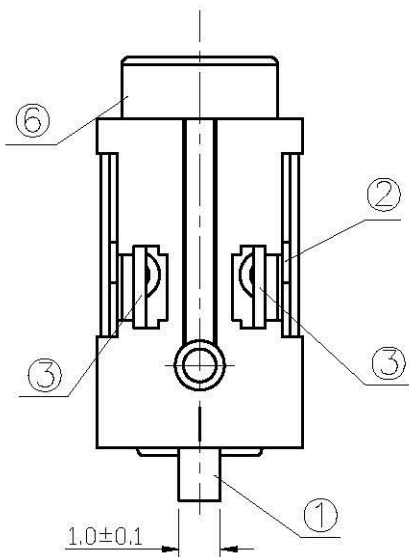


T:1.6 Dimensions of PC board holes
Tolerance : ±0.1(Printed-top view)



6	HOUSING	1	PA9T	UL-94V0(BLACK)
5	PIN	1	H59(COPPER ALLOY)	MB:Cu Cu/Sn PLATED
4	COAT	1	C5191 t=0.25	MB:Ni Ag PLATED
3	TERMINAL	2	C5191 t=0.20	MB:Ni Ag PLATED
2	TERMINAL 2#	1	C5191 t=0.25	MB:Ni Ag PLATED
1	TERMINAL 1#	1	C5191 t=0.25	MB:Ni Ag PLATED
LTR	PART NAME	QTY	MATERIAL	REMARK

UNLESS OTHERWISE SPECIFIED, TOLERANCE ON DECIMAL: ±0.2

All Connectors

www.allconnectors.de
Tel.: 0049 711 7009578
70734 Filzderstadt - Germany

info@allconnectors.de
Fax: 0049 711 70095104
Kettnerstr. 25

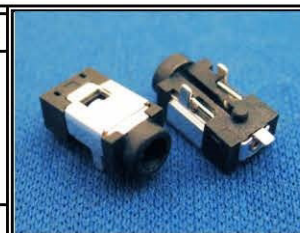
RoHS Compliant

DRAWING BY CY
CHECKED BY GENIUS
UNIT / mm SCALE 1 : 1
DATE
SIZE A4

TOLERANCES ARE

X ±
.X ±
.XX ±
.XXX ±
ANG ±

PJECTION



ORDER INFORMATION

DCJ-RW60-065-LF
SERIES | LEADFREE
0.65Ø
POST 6.3mm
90° DIP+SMT

DESCRIPTION: DC POWER JACK