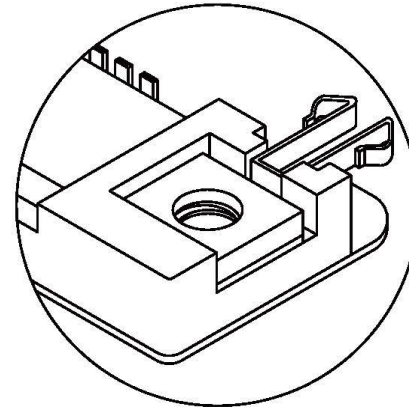
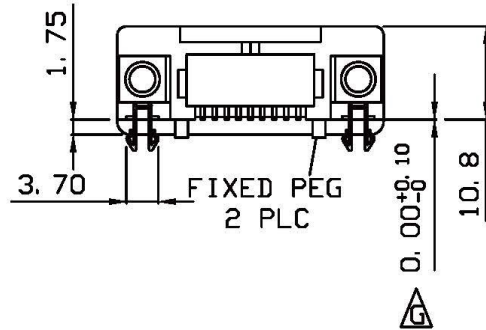
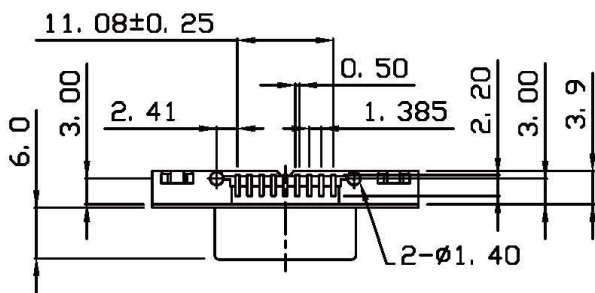


Material And Finish
 Shell -Steel zinc plated or tin plated
 Bracket-Brass strip-H nickel plated
 Screw-Brass nickel plated
 Insulator-NYLON 6T fiber reinforced UL-94V0, color black
 Contact Material- Socket-Phosphor bronze
 Duplex plated as follows:
 A-. 000030[.00076]gold on mating end, tin-lead on termination end, with entire contact nickel
 B-. 000015[.00038]gold on mating end, tin-lead on termination end, with entire contact nickel
 C-Gold flash on mating end, tin-lead on termination end, with entire contact nickel

Specifications
 Rated current 5A
 Rated Voltage 300V DC
 Withstanding Voltage 500V(r. m. s) AC for 1 minute
 Insulation Resistance more than 1000M ohm at 500V DC
 Contact Resistance 13m ohm Max
 Dielectric Strength 1000V AC Min for 1 minute
 Temperature -55 °C~+105 °C



Fork Board Lock Type



RoHS Compliant

All Connectors

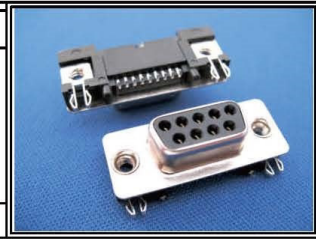
www.allconnectors.de info@allconnectors.de
 Tel.: 0049 711 7009503 Fax: 0049 711 7009504
 70794 Filderstadt - Germany Kettnerstr. 25

TOLERANCES ARE
 X ±
 .X ±
 .XX ±
 .XXX ±
 ANG ±

DRAWING BY CY
CHECKED BY GENIUS

UNIT/ mm **SCALE 1 : 1**

DATE **SIZE A4** **PROJECTION**



ORDER INFORMATION

DW-SNZ2xxx-09-LF

SERIES FEMALE NUT CLIP TYPE 2

09WAY LEADFREE
 BLANK: GOLD FLASH
 S15:15u" SEMI GOLD
 S30:30u" SEMI GOLD

DESCRIPTION: D SUB RIGHT ANGLE SURFACE-MOUNT CONNECTORS DSMT1-SERIES LOW PROFILE 9 POST FEMALE