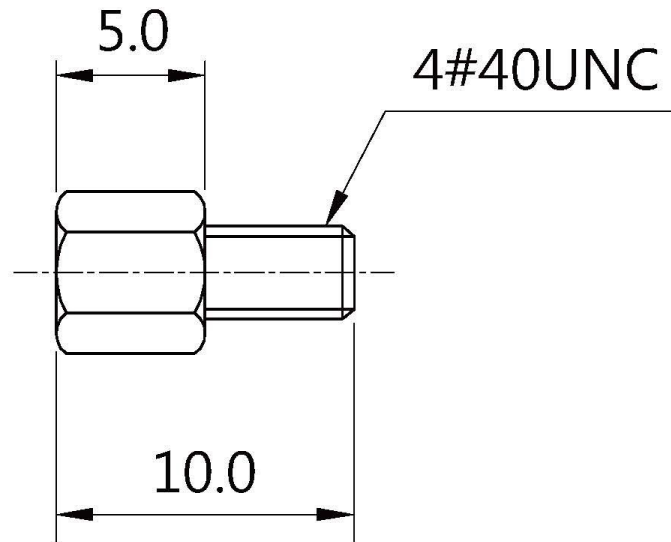
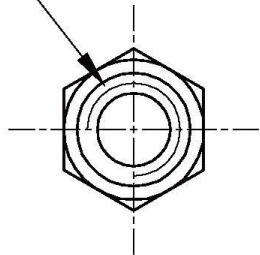


4#40UNC



RoHS Compliant

TOLERANCES ARE

Allconnectors

DRAWING BY CY

CHECKED BY GENIUS

UNIT / mm

SCALE 1 : 1

DATE

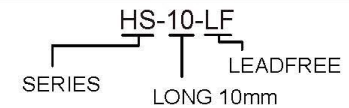
SIZE A4

PROJECTION

X ±
.X ± 0.30
.XX ± 0.25
.XXX ± 0.15
ANG ± 2°



ORDER INFORMATION



DESCRIPTION: SCREW 4#40UNC 5*10

www.allconnectors.de

info@allconnectors.de

Tel.: 0049 711 7009503

Fax: 0049 711 7009504

70794 Filderstadt - Germany

Kettenerstr. 25