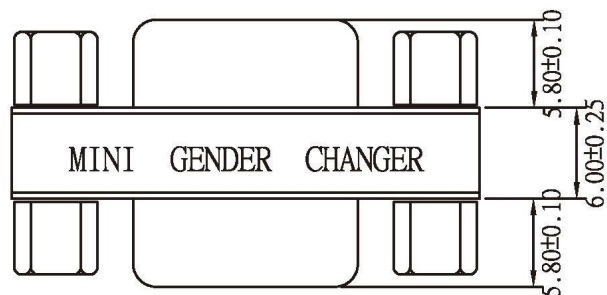
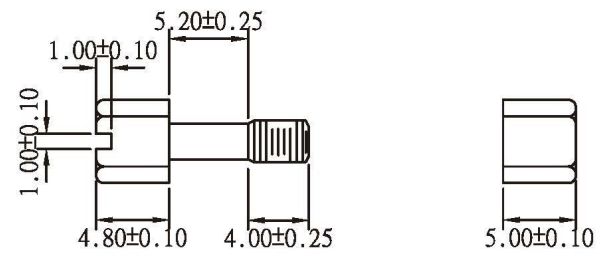
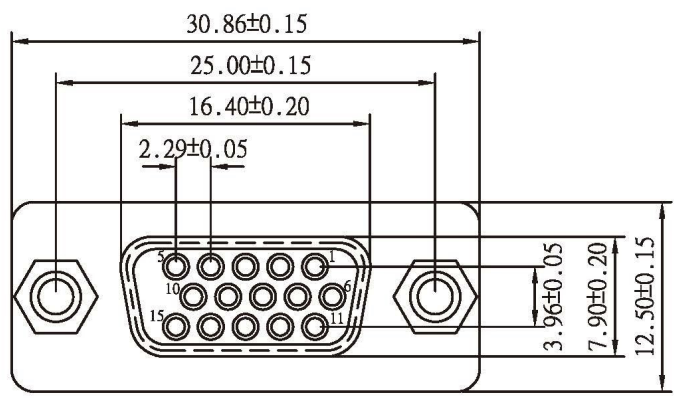


UNC #4-40 Hexscrew UNC #4-40 Hexnut



HD 15 F/F GENDER CHANGER
PIN OUT: 15Female

		15Female
1	-----	1
2	-----	2
	}	
8	-----	8
10	-----	10
	}	
15	-----	15
G	-----	G



Label: yellow color with black character
 One side: MINI GENDER CHANGER
 The other side: U.S.A. PATENT 5199906 GENDER CHANGER
SPECIFICATION
 INSULATOR: PBT Glass fibre reinforced UL 94 V0
 CONTACT: Brass
 CONTACT PLATING: Gold plated over nickel
 SHELL: Tin plated shell
 CURRENT RATING: 3 AMP
 DIELECTRIC STRENGTH: 1000V AC for one minute
 INSULATOR RESISTANCE: 1000MΩ min at 500V DC
 TEMPERATURE: -55°C — +105°C

RoHS Compliant

All Connectors

www.allconnectors.de info@allconnectors.de
 Tel.: 0049 711 7009503 Fax: 0049 711 7009504
 70794 Filderstadt - Germany Kettererstr. 25

DRAWING BY CY
CHECKED BY GENIUS
UNIT/ mm **SCALE** 1 : 1
DATE **SIZE** A4 **PJECTION**

TOLERANCES ARE
 X ±
 .X ±
 .XX ±
 .XXX ±
 ANG ±



ORDER INFORMATION

HDX2-FS-1515-LF

SERIES LEADFREE
 15 TO 15 WAY
 FEMALE TO FEMALE

DESCRIPTION: ADAPTOR 15 FEMALE TO 15 FEMALE