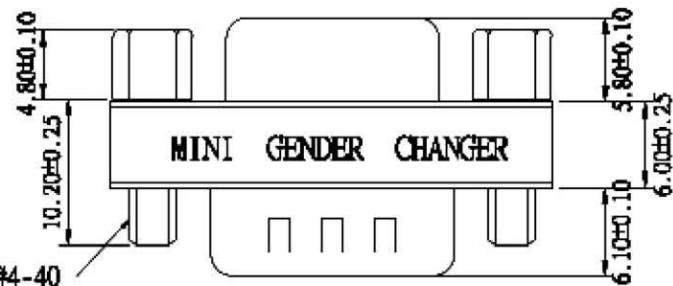
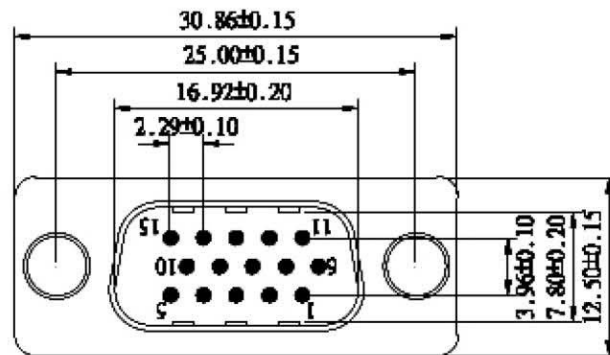


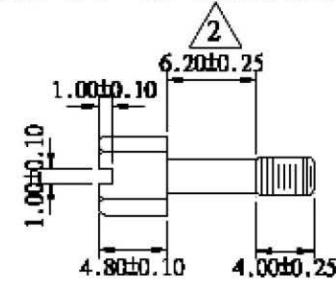
UNC #4-40x3.3mm
(THREAD)



UNC #4-40

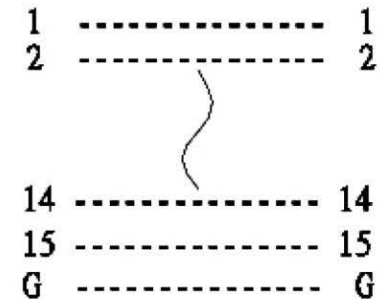


UNC #4-40 Hexscrew



HGCF 15M/F GENDER CHANGER

PIN OUT: 15Male 15Female



Label: yellow color with black character

One side: MINI GENDER CHANGER

The other side: U.S.A. PATENT 5199906 US

SPECIFICATION

INSULATOR: PBT Glass fibre reinforced UL 94 V0

CONTACT: Brass

CONTACT PLATING: Gold plated over nickel

SHELL: Tin plated shell

CURRENT RATING: 3 AMP

DIELECTRIC STRENGTH: 1000V AC for one minute

INSULATOR RESISTANCE: 1000MΩ min at 500V DC

TEMPERATURE: -55°C—+105°C

RoHS Compliant

All connectors

www.allconnectors.de
Tel.: 0049 711 7005503
All-PC-Industrie GmbH

info@allconnectors.de
Tel.: 0049 711 7005504
Kornwestheim, DE

PART NO. HDX2-ES-1515

DWG NO. HDX2-ES-1515

FILE NO.

UNIT / mm

SCALE 1:1

CHECKED BY CY

DRAWING BY

PROJECTION



TOLERANCES ARE

.X ± 0.2
.XX ±
.XXX ±
AWG

DESCRIPTION:

AREA

REVISIONS

HK

DATE