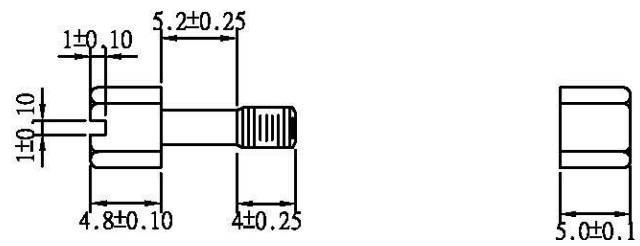
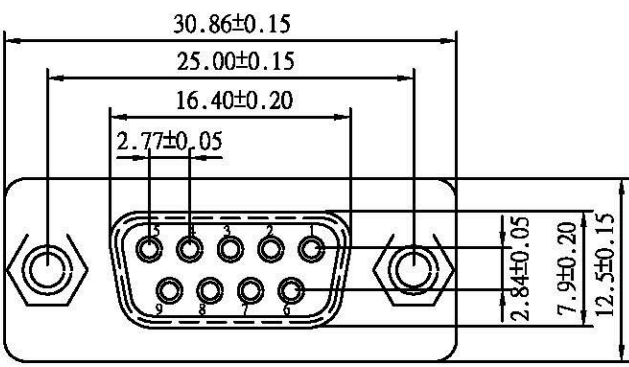
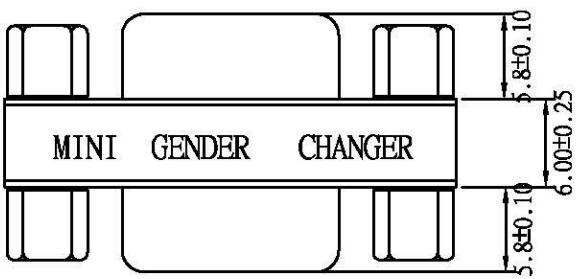
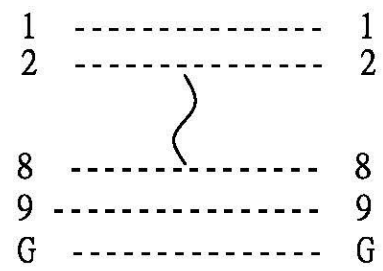


UNC #4-40 Hexscrew      UNC #4-40 Hexnut



DB 09 F/F GENDER CHANGER  
PIN OUT: 9Female      9Female



Label: yellow color with black character  
 One side: MINI GENDER CHANGER  
 The other side: U.S.A. PATENT 5199906 GENDER CHANGER  
**SPECIFICATION**  
 INSULATOR: PBT Glass fibre reinforced UL 94 V0  
 CONTACT: Brass  
 CONTACT PLATING: Gold plated over nickel  
 SHELL: Tin Plated Shell (Nickel Silver)  
 CURRENT RATING: 3 AMP  
 DIELECTRIC STRENGTH: 1000V AC for one minute  
 INSULATOR RESISTANCE: 1000MΩ min at 500V DC  
 TEMPERATURE: -55°C—+105°C

DBX2-FS-0909-LF  
LEADFREE

RoHS Compliant

**Allconnectors**  
 www.allconnectors.de  
 TEL: 0049 711 200903  
 20/94 Hilderstact - Germany

info@allconnectors.de  
 Fax: 0049 711 200904  
 Kettnerstr. 25

PART NO. DBX2-FS-0909		CHECKED BY CY		TOLERANCES ARE .X ± 0.2 .XX ± .XXX ± AWG	DESCRIPTION:	AREA	REVISIONS	HK	DATE
DWG NO. DBX2-FS-0909		DRAWING BY							
FILE NO.		PROJECTION							
UNIT / mm	SCALE 1:1								

J  
I  
H  
G  
F  
E  
D  
C  
B  
A