

## SPECIFICATIONS

### ELECTRICAL CHARACTERISTICS:

Contact Current Rating: 3 Amperes.  
 Dielectric Withstanding Voltage: AC 1000/60sec.r.m.s.  
 Insulation Resistance: 5000 Megohms Minimum at DC 500V.  
 Contact Resistance: 25 Milliohms Maximum.  
 Operating Temperature: -55°C to +105°C.

### MECHANICAL CHARACTERISTICS:

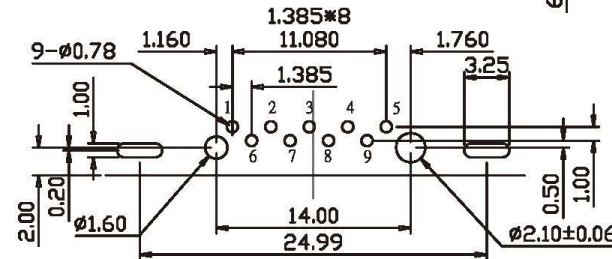
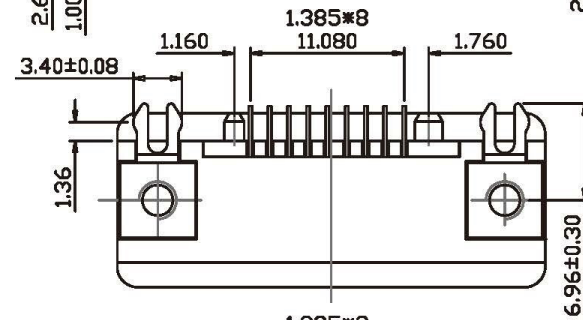
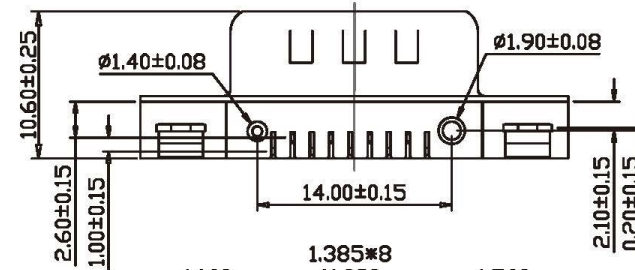
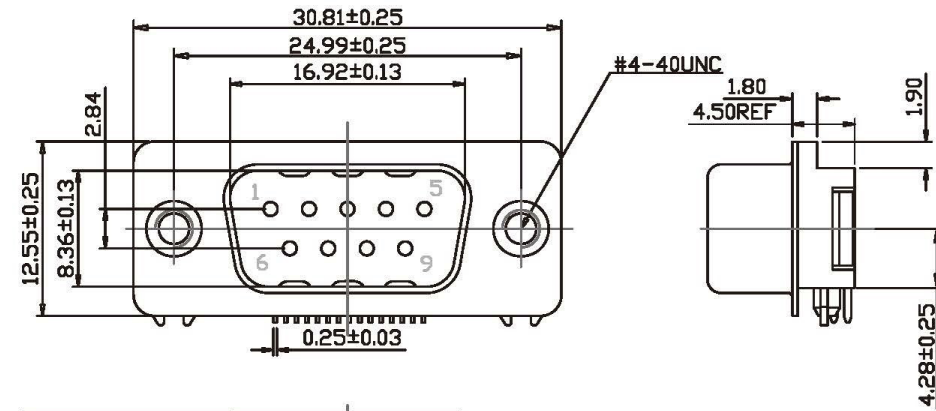
Contact Insertion Force: 341 g. Maximum.  
 Contact Separation Force: 21 g. Minimum.

### MATERIALS:

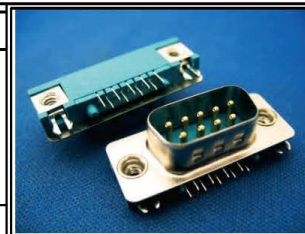
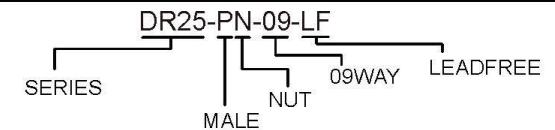
Contacts: Brass.  
 Insulator: PBT UL 94V-0 Rated.  
 Shell: Cold Roller Steel.

### FINISHES:

Contact: Gold Flash.  
 Shell: Nickel Plated.



### ORDER INFORMATION



DESCRIPTION: SLIM D-SUB 9 MALE CONNECTOR DIP SOLDER, RIGHT ANGLE

**All Connectors**

www.allconnectors.de info@allconnectors.de  
 Tel.: 0049 711 7009503 Fax: 0049 711 7009504  
 70794 Filderstadt - Germany Kettenerstr. 25

**RoHS Compliant**

TOLERANCES ARE

DRAWING BY CY  
 CHECKED BY GENIUS  
 UNIT/ mm SCALE 1:1  
 DATE  
 SIZE A4 PROJECTION

X ±  
 .X ±  
 .XX ±  
 .XXX ±  
 ANG ±

