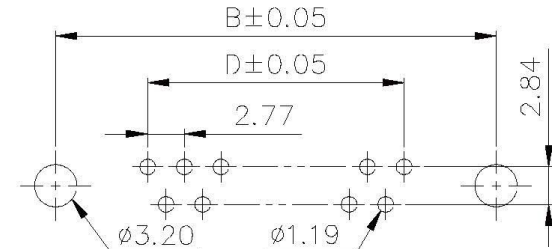
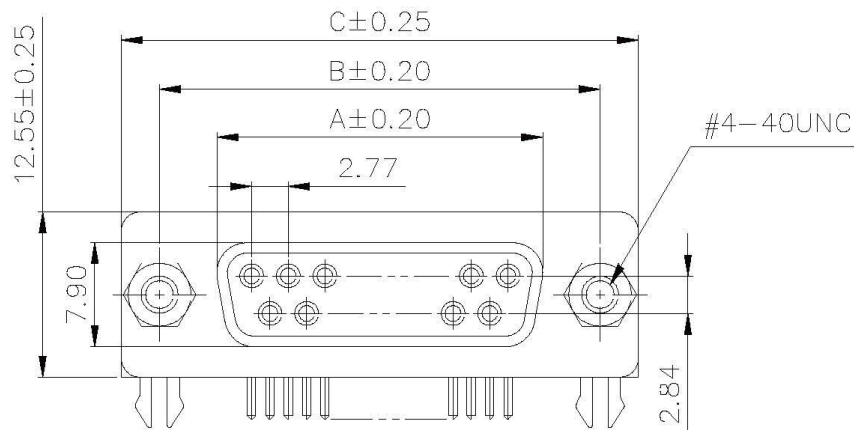


Material:

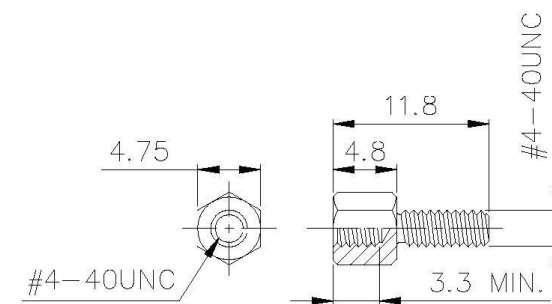
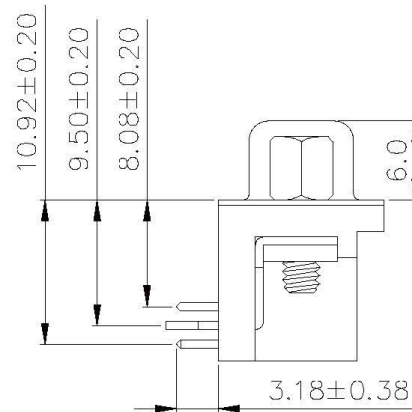
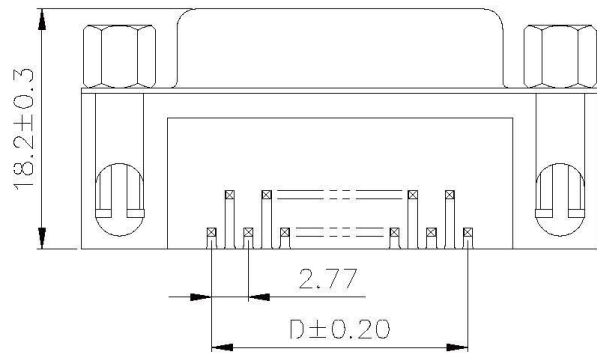
Insulator: PBT+30% Glass Fiber (UL94V-0).
 Contact: Copper Alloy.
 Contact Plated: Gold or Tin over Nickel Plated.
 Shell: Steel with Nickel or Tin or Zinc Plated.

Specification:

Current Rating: 5 Amps.
 Withstanding Voltage: AC 500V for 1 Minute.
 Insulation Resistance: 1000MΩ Min. at DC 500V.
 Contact Resistance: 15mΩ Max..
 Operating Temperature: -40°C ~ +105°C.



RECOMMEND P.C. BOARD LAYOUT



LOCKING SCREW

Pos.	Dim. A	Dim. B	Dim. C	Dim. D
9	16.33	24.99	30.81	11.08
15	24.66	33.32	39.14	19.39
25	38.38	47.04	53.04	33.24
37	54.84	63.50	69.32	49.86

RoHS Compliant

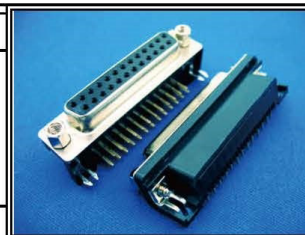
All Connectors

www.allconnectors.de info@allconnectors.de
 Tel.: 0049 711 7009503 Fax: 0049 711 7009504
 70794 Filderstadt - Germany Kettenerstr. 25

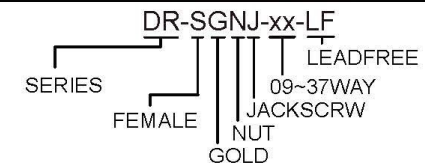
DRAWING BY CY
 CHECKED BY GENIUS
 UNIT / mm SCALE 1:1
 DATE
 SIZE A4 PROJECTION

TOLERANCES ARE

X ±
 .X ±
 .XX ±
 .XXX ±
 ANG ±



ORDER INFORMATION



DESCRIPTION: D-Sub Female Right Angle Connector Footprint 8.08mm Clinch Nut/Screw Lock Type