

NOTES: P.C.B. LAYOUT

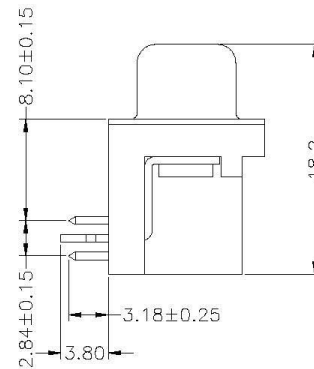
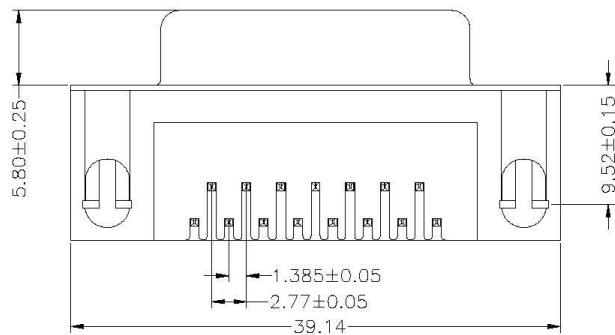
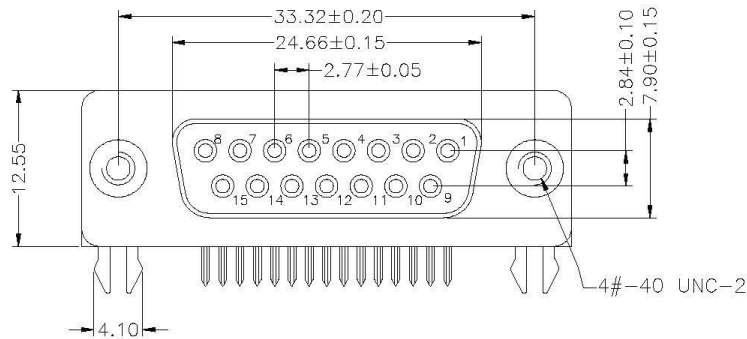
1.MATERIAL

- 1.1 Insulator:PBT+30%Glass Fiber (UL94V-0)
- 1.2 Contact:Brass 0.2T Gold **Flash** Plated

- 1.3 Shell:Steel,Gold Plated
- 1.4 Screw:Brass Gold Plated

2.SPECIFICATION

- 2.1 Current Rate:5 Amps
- 2.2 Insulator Resistance:5000M Ω Min. at 500V DC
- 2.3 Dielectric Strength:1000V Per minute
- 2.4 Operation Temperature:-55 $^{\circ}$ C to+105 $^{\circ}$ C



All Connectors

www.allconnectors.de info@allconnectors.de
 Tel.: 0049 711 7009503 Fax: 0049 711 7009504
 70794 Filderstadt - Germany Kettnerstr. 25

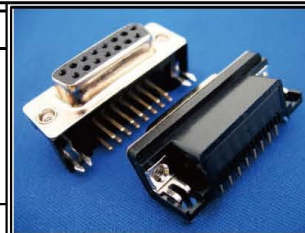
RoHS Compliant

DRAWING BY CY
 CHECKED BY GENIUS
 UNIT/mm SCALE 1:1
 DATE
 SIZE A4

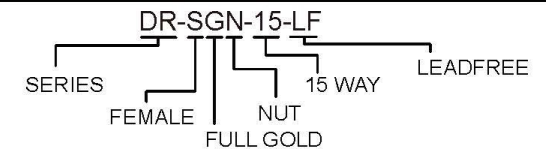
TOLERANCES ARE

X.±
 .X±0.30
 .XX±0.20
 .XXX±0.10
 ANG ±

PJECTION



ORDER INFORMATION



DESCRIPTION: D-SUB RIGHT ANGLE P. B. C TYPE (F)