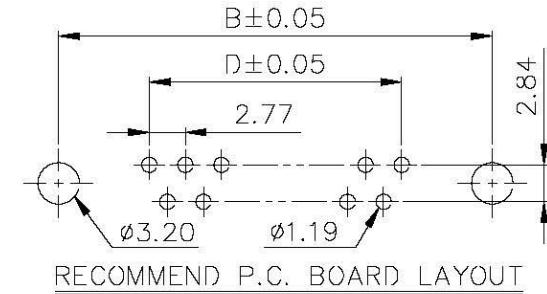
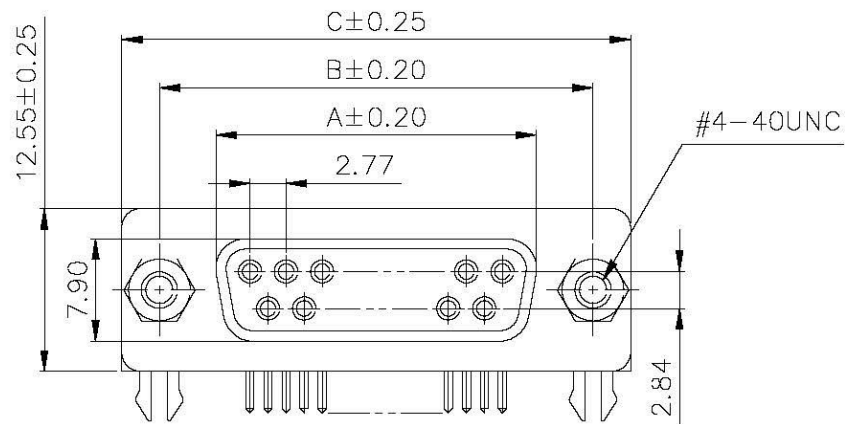


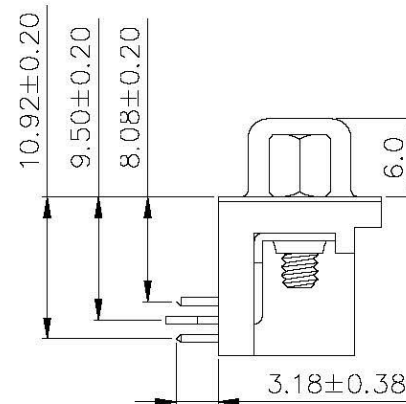
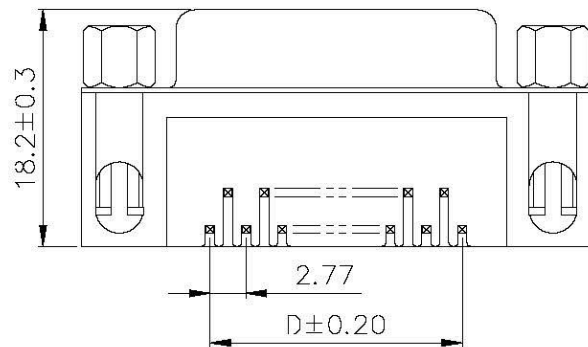
Material:  
 Insulator: PBT+30% Glass Fiber (UL94V-0).  
 Contact: Copper Alloy.  
 Contact Plated: Gold or Tin over Nickel Plated.  
 Shell: Steel with Nickel or Tin or Zinc Plated.

Specification:  
 Current Rating: 5 Amps.  
 Withstanding Voltage: AC 500V for 1 Minute.  
 Insulation Resistance: 1000MΩ Min. at DC 500V.  
 Contact Resistance: 15mΩ Max..  
 Operating Temperature: -40°C ~ +105°C.



DR-SG-xx-LF  
 LEADFREE POSITION  
 G:FULL-GOLD  
 S:SEMI-GOLD

RoHS Compliant



Pos.	Dim. A	Dim. B	Dim. C	Dim. D
9	16.33	24.99	30.81	11.08
15	24.66	33.32	39.14	19.39
25	38.38	47.04	53.04	33.24
37	54.84	63.50	69.32	49.86

**Allconnectors**

www.allconnectors.de  
 Tel.: 0749 711 7007501  
 70794 Filderstadt - Germany

info@allconnectors.de  
 Fax: 0749 711 7007504  
 Kellernstr. 25

PART NO. DR-SG-xx

DWG NO. DR-SG-xx

FILE NO.

UNIT / mm

SCALE 1:1

CHECKED BY CY

DRAWING BY

PROJECTION



TOLERANCES ARE

.X±0.2  
 .XX±0.1  
 .XXX±  
 AWG

DESCRIPTION:

D-Sub Female Right Angle Connector  
 Footprint 8.08mm/Screw Lock Type

AREA

REVISIONS

HK

DATE