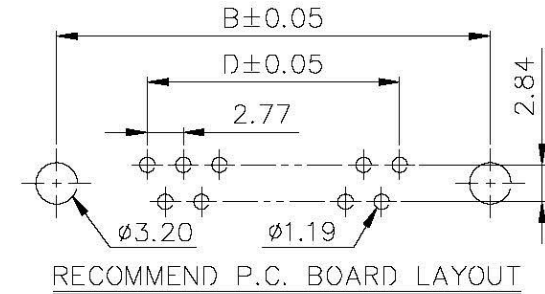
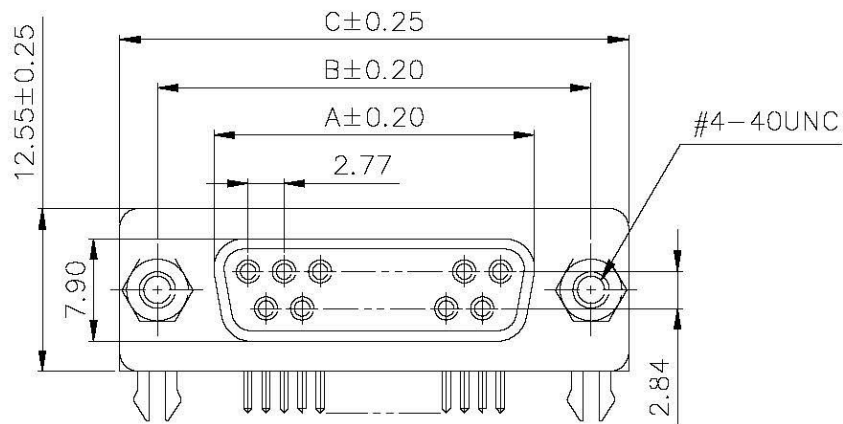


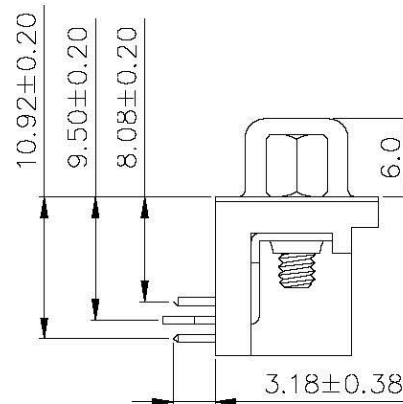
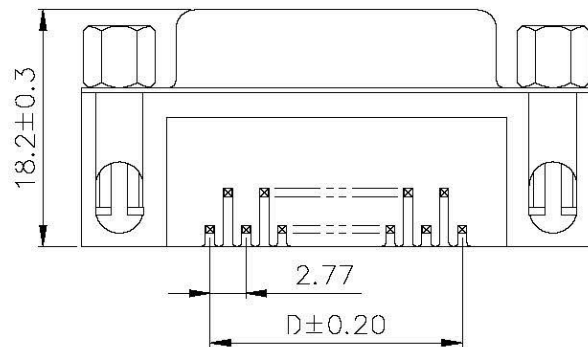
Material:
 Insulator: PBT+30% Glass Fiber (UL94V-0).
 Contact: Copper Alloy.
 Contact Plated: Gold or Tin over Nickel Plated.
 Shell: Steel with Nickel or Tin or Zinc Plated.

Specification:
 Current Rating: 5 Amps.
 Withstanding Voltage: AC 500V for 1 Minute.
 Insulation Resistance: 1000MΩ Min. at DC 500V.
 Contact Resistance: 15mΩ Max..
 Operating Temperature: -40°C ~ +105°C.



DR-SG-xx-LF
 LEADFREE POSITION
 G:FULL-GOLD
 S:SEMI-GOLD

RoHS Compliant



Pos.	Dim. A	Dim. B	Dim. C	Dim. D
9	16.33	24.99	30.81	11.08
15	24.66	33.32	39.14	19.39
25	38.38	47.04	53.04	33.24
37	54.84	63.50	69.32	49.86

Allconnectors

www.allconnectors.de
 Tel.: 0049 711 7002503
 70724 Filderstadt - Germany

info@allconnectors.de
 Fax: 0049 711 7002504
 Kettnerstr. 25

PART NO. DR-SG-xx

DWG NO. DR-SG-xx

FILE NO.

UNIT / mm

SCALE 1:1

CHECKED BY CY

DRAWING BY

PROJECTION



TOLERANCES ARE

.X±0.2
 .XX±0.1
 .XXX±
 AWG

DESCRIPTION:

D-Sub Female Right Angle Connector
 Footprint 8.08mm/Screw Lock Type

AREA

REVISIONS

HK

DATE