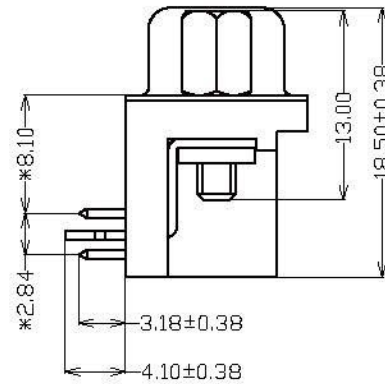
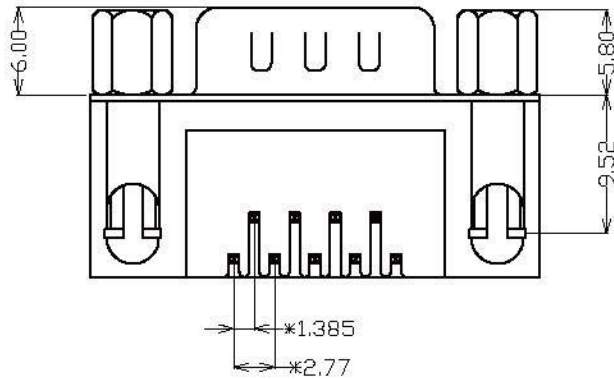
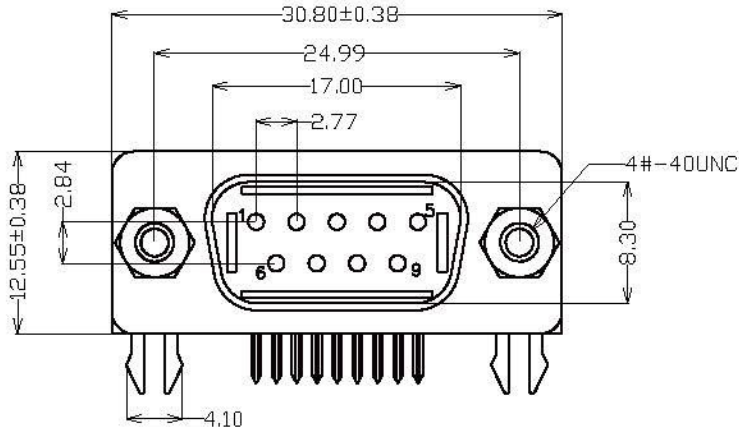


P.C.B. LAYOUT (TOLERANCE ±0.05)
TOP VIEW



NOTES:

1.MATERIAL

- 1.1 Insulator:PBT+30%Glass Fiber
- 1.2 Contact: Brass
- 1.3 Contact Plated:Gold/TIN PLATED
- 1.4 Shell:Steel,Nickel Plated
- 1.5 Screw:Brass, Nickel Plated

2.SPECIFICATION

- 2.1 Current Rate:5 Amps
- 2.2 Insulator Resistance:1000M Min. at 500V DC
- 2.3 Dielectric Strength:1000V Per minute
- 2.4 Operation Temperature:-55°C to+105°C

All Connectors

www.allconnectors.de
Tel.: 0049 711 7079503
70734 Filderstadt - Germany

Info@allconnectors.de
Fax: 0049 711 7079504
Kellernstr. 25

RoHS Compliant

DRAWING BY CY
CHECKED BY GENIUS
UNIT / mm SCALE 1:1
DATE
SIZE A4

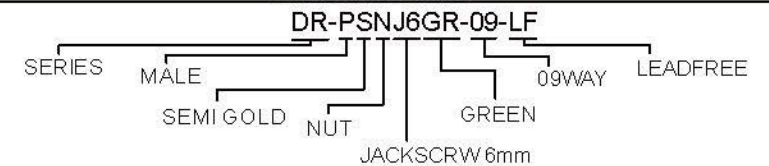
TOLERANCES ARE

X ± 0.38
XX ± 0.25
XXX ± 0.15
ANG ±

PROJECTION



ORDER INFORMATION



DESCRIPTION: DR9公叉鎖鎖半金 8.1鎖螺絲5.8*13.0RoHS