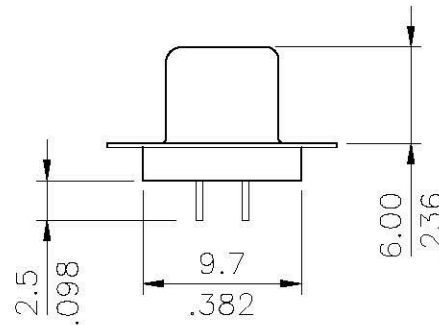
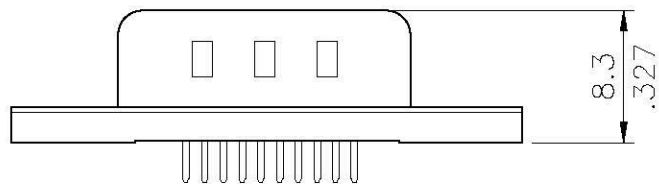


Materials:

- * Insulator: Glass filled polyester UL 94V-0
- * Contacts: Copper alloy
- * Shell: Steel, Tin plated as standard



RoHS Compliant

TOLERANCES ARE

All Connectors

DRAWING BY CY

X ±

CHECKED BY GENIUS

X ±

UNIT / mm

SCALE 1:1

.XX ±

DATE

.XXX ±

SIZE A4

P PROJECTION

ANG ±



ORDER INFORMATION

DDM21-PN-09-LF

SERIES | LEADFREE
09WAY
NUT
MALE

www.allconnectors.de
Tel.: 0049 711 7005503
70794 Filderstadt Germany

info@allconnectors.de
Fax: 0049 711 7009504
Kettnerstr. 25

DESCRIPTION: