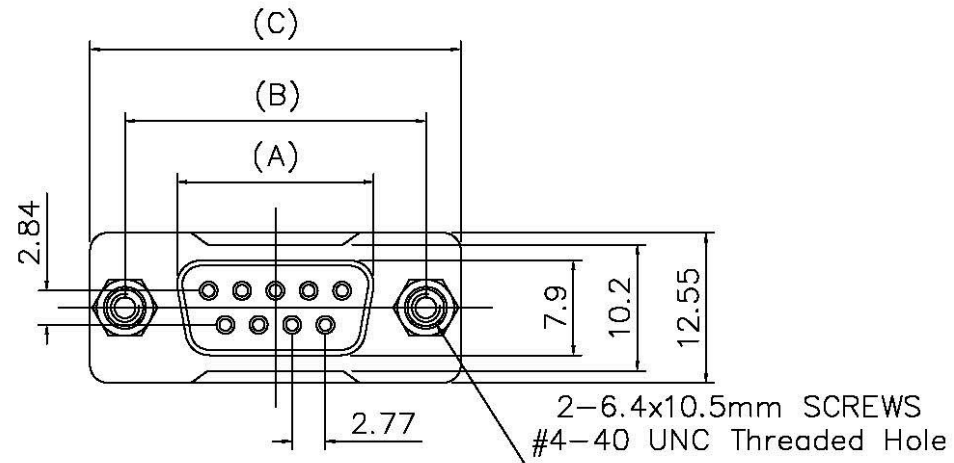


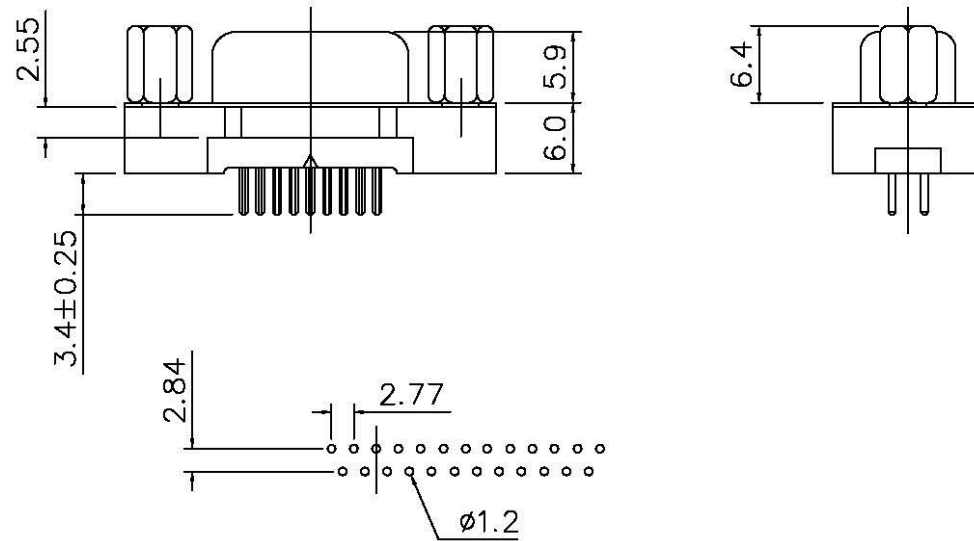
Specifications

Contact Resistance: 30 μ max. at DC 100mA
 Insulator Resistance: 1000M min. at DC 500V
 Current Rating: 5 AMP
 Dielectric Withstanding
 Voltage: AC 1000V For 1 minute
 Operating Temperature: -55°C ~ +105°C
 Contact: Brass
 Housing: PBT & 30% Glass Fiber (UL 94V-0)



Dimension

Positon	A	B	C
9	16.33	24.99	30.81
15	24.66	33.32	39.14
25	38.38	47.04	53.04
37	54.84	63.50	69.32



Recomended PCB Layout

RoHS Compliant

All Connectors

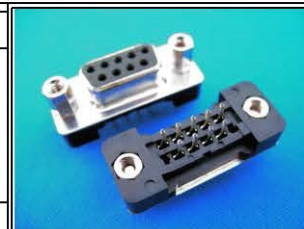
www.allconnectors.de
 Tel.: 0049 /11 400546
 40724 Hilderstich - Germany

info@allconnectors.de
 Fax: 0049 /11 400504
 Ketteimerstr. 23

DRAWING BY CY
 CHECKED BY GENIUS
 UNIT / mm SCALE 1 : 1
 DATE
 SIZE A4 PROJECTION

TOLERANCES ARE

X ±
 X ± 0.20
 .XX ± 0.10
 .XXX ±
 ANG ±



ORDER INFORMATION

DDM-SNJ-xx-LF
 SERIES | | | LEADFREE
 | | | 09-37WAY
 | | | JACKSCRW
 | | | NUT
 | | | FEMALE

DESCRIPTION: D-SUB DIP STRAIGHT TYPE