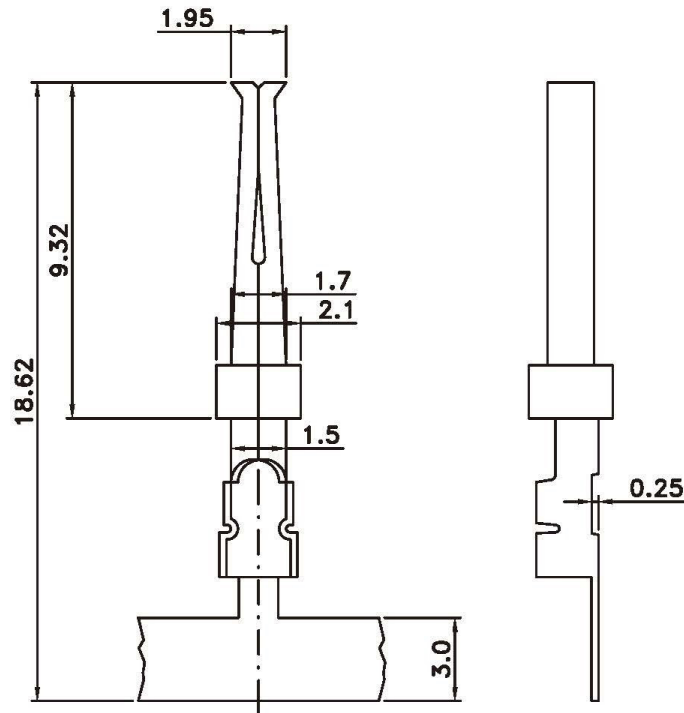


**NOTES:**  
**PLATING: GOLD FLASH**  
**REEL & TAPE: 10000PCS**



P/N:	WIRE APPLICATION	P/N:	WIRE APPLICATION
DC-F-20	AWG20-AWG22	DC-F-24	AWG24-AWG26
<p>SECTION A-A</p>		<p>SECTION A-A</p>	
<p>SECTION B-B</p>		<p>SECTION B-B</p>	

**All Connectors**

www.allconnectors.de info@allconnectors.de  
 Tel.: 0049 711 7009503 Fax: 0049 711 7009504  
 70794 Filderstadt - Germany Kettenerstr. 25

**RoHS Compliant**

DRAWING BY CY  
 CHECKED BY GENIUS  
 UNIT/mm SCALE 1:1  
 DATE  
 SIZE A4

TOLERANCES ARE

X ±  
 .X ±  
 .XX ±  
 .XXX ±  
 ANG ±

PJECTION



**ORDER INFORMATION**

DC-F-xx-LF  
 SERIES | LEADFREE  
 20:20~22AWG  
 24:24~26AWG  
 FEMALE TERMINAL

**DESCRIPTION: D-SUB STANDARD CRIMP TERMINAL FEMALE**