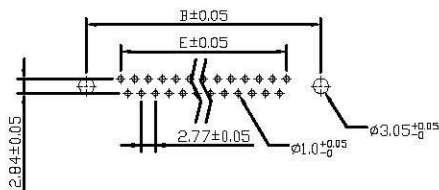
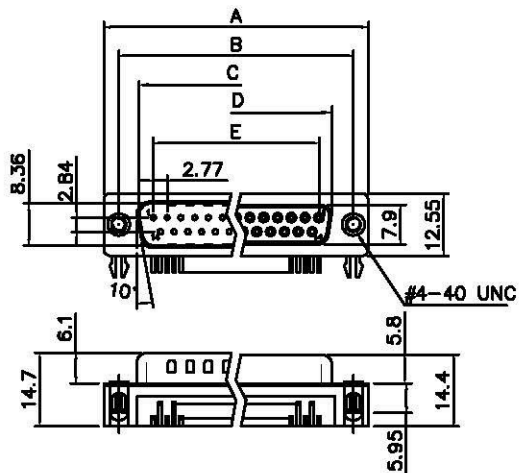


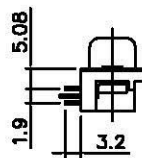
THE INFORMATION CONTAINED IN THIS DOCUMENT IS PROPRIETARY TO Y-S ELECTRONIC, ANY REPRODUCTION IN PART OR WHOLE WITHOUT PRIOR WRITTEN APPROVAL OR AUTHORIZATION OF Y-S ELECTRONIC IS STRICTLY PROHIBITED.

RoHS COMPLIANT

REVISIONS				
REV	ECN NO.	DESCRIPTION	APPROVED BY	DATE
A				



RECOMMENDED PCB LAYOUT  
FEMALE\MALE



5.08mm Footprint

Dimensions					
Positions	A	B	C	D	E
9	30.81	24.99	16.92	16.33	11.08
15	39.20	33.30	25.25	24.70	19.39
25	53.05	47.04	38.96	38.40	33.24
37	69.40	63.50	55.42	54.80	49.86

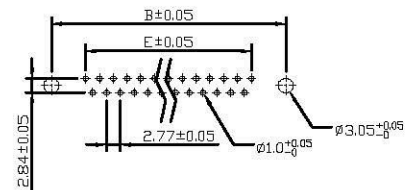
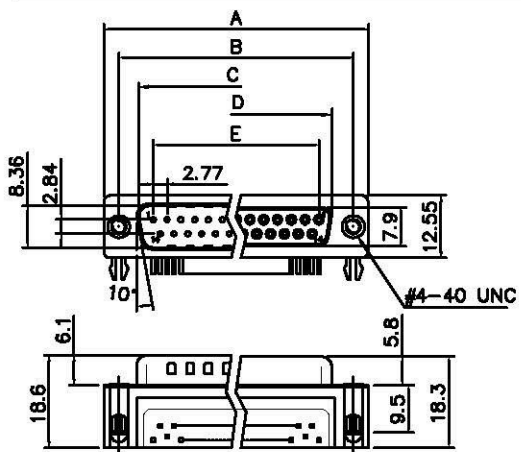
Product Specification

Material

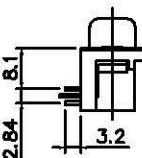
Insulator : Glass-Filled Thermoplastic PBT, UL94V-0  
 Contact : Brass  
 Shell : Steel, 100u" Tin Over 50u" min Copper  
 Clinch Nut : Brass, Nickel Plated.  
 Boardlock : Brass, Tin Plated.  
 Screwlock : Brass, Nickel Plated.

Electrical

Contact Resistance : 20 milliohms  
 Max at 1 AMP DC.  
 Insulation Resistance : 1000  
 megohms at 500 VDC  
 Dielectric Withstanding Voltage :  
 1000 VAC/rms 60Hz for 1 minute  
 Current Rating : 3 AMP  
 Voltage Rating : 250 VAC/rms 60Hz



RECOMMENDED PCB LAYOUT



7.2mm Footprint

DO NOT SCALE DRAWING

DIMENSIONS:	
<input type="checkbox"/> MM (INCH)	<input type="checkbox"/> INCH (mm)
<input checked="" type="checkbox"/> MM ONLY	
UNLESS OTHERWISE SPECIFIED, GENERAL TOLERANCE:	
DECIMALS	ANGLES
.X ±0.38 [0.015]	X° ±3°
.XX ±0.25 [0.010]	.X° ±1.0°
.XX ±0.13 [0.005]	
MATERIAL	
FINISH	

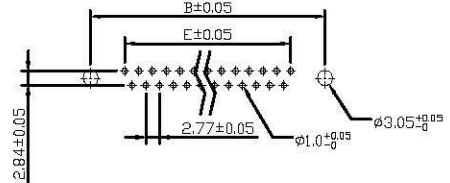
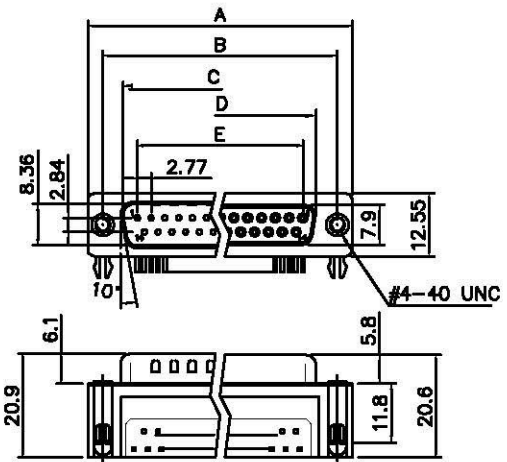
CAD GENERATED DRAWING, DO NOT MANUALLY UPDATE	
DRAWN BY AND DATE JUSTIN XING 12-19-05	
CHECKED BY AND DATE JUSTIN XING 12-19-05	
APPROVED BY AND DATE KING CHIU 12-19-05	
THIRD ANGLE PROJECTION	
SCALE: 1 : 1	SIZE: A3

<b>All Connectors</b>	
<small>www.allconnectors.com Tel: 847-433-2828 20714 Fildes Street - Cary, IL 60013-1195</small>	
<small>11 Fughlietta Road, NJ Tel: 847-433-2828 847-433-2828</small>	
TITLE 107 SERIES D-SUB, RIGHT ANGLE TYPE	
DRAWING NO. 107-XXXXXXXXXX	REV A
FILE NO:	SHEET 1 OF 6

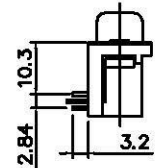
THE INFORMATION CONTAINED IN THIS DOCUMENT IS PROPRIETARY TO Y-S ELECTRONIC, ANY REPRODUCTION IN PART OR WHOLE WITHOUT PRIOR WRITTEN APPROVAL OR AUTHORIZATION OF Y-S ELECTRONIC IS STRICTLY PROHIBITED.

RoHS COMPLIANT

REVISIONS				
REV	ECN NO.	DESCRIPTION	APPROVED BY	DATE
A				



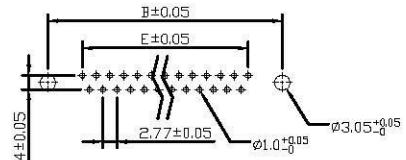
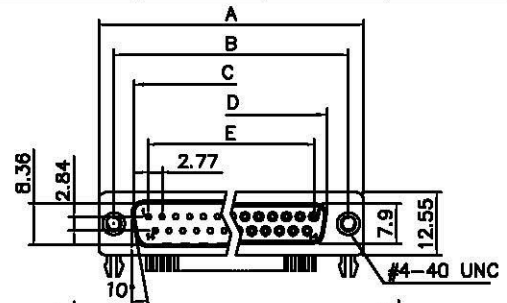
RECOMMENDED PCB LAYOUT  
FEMALE\MALE



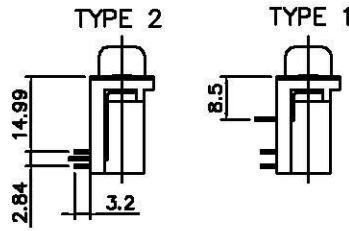
9.4mm Footprint

Dimensions					
Positions	A	B	C	D	E
9	30.81	24.99	16.92	16.33	11.08
15	39.20	33.30	25.25	24.70	19.39
25	53.05	47.04	38.96	38.40	33.24
37	69.40	63.50	55.42	54.80	49.86

Product Specification  
 Material  
 Insulator : Glass-Filled Thermoplastic PBT, UL94V-0  
 Contact : Brass  
 Shell : Steel, 100u" Tin Over 50u" min Copper  
 Clinch Nut : Brass, Nickel Plated.  
 Boardlock : Brass, Tin Plated.  
 Screwlock : Brass, Nickel Plated.  
 Electrical  
 Contact Resistance : 20 milliohms  
 Max at 1 AMP DC.  
 Insulation Resistance : 1000  
 megohms at 500 VDC  
 Dielectric Withstanding Voltage :  
 1000 VAC/rms 60Hz for 1 minute  
 Current Rating : 3 AMP  
 Voltage Rating : 250 VAC/rms 60Hz



RECOMMENDED PCB LAYOUT



13.84mm Footprint

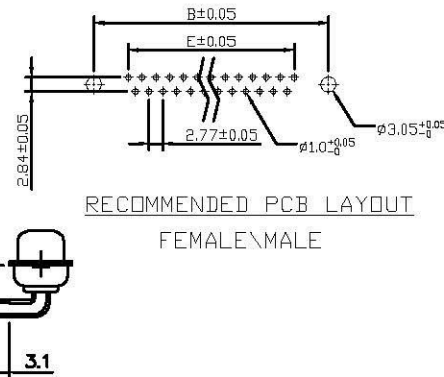
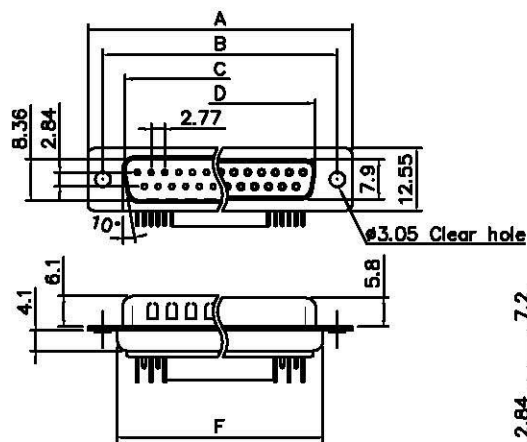
DO NOT SCALE DRAWING

DIMENSIONS: <input type="checkbox"/> MM [INCH] <input type="checkbox"/> INCH [mm] <input checked="" type="checkbox"/> MM ONLY	CAD GENERATED DRAWING, DO NOT MANUALLY UPDATE DRAWN BY AND DATE JUSTIN XING 12-19-05		
		<small>           www.allconnectors.de            Tel: 0049 711 7001500            70794 Hildesheim, Germany            info@allconnectors.de            Fax: 0049 711 7001504            kst@allconnectors.de         </small>	
UNLESS OTHERWISE SPECIFIED, GENERAL TOLERANCE: DECIMALS ANGLES .X ±0.38 [0.015] X° ±3° .XX ±0.25 [0.010] .X° ±1.0° .XX ±0.13 [0.005]	CHECKED BY AND DATE JUSTIN XING 12-19-05 APPROVED BY AND DATE KING CHIU 12-19-05 THIRD ANGLE PROJECTION 	TITLE 107 SERIES D-SUB, RIGHT ANGLE TYPE	
		MATERIAL FINISH	SCALE: 1 : 1
FILE NO.:		SHEET 2 OF 6	

THE INFORMATION CONTAINED IN THIS DOCUMENT IS PROPRIETARY TO Y-S ELECTRONIC, ANY REPRODUCTION IN PART OR WHOLE WITHOUT PRIOR WRITTEN APPROVAL OR AUTHORIZATION OF Y-S ELECTRONIC IS STRICTLY PROHIBITED.

RoHS COMPLIANT

REVISIONS				
REV	ECN NO.	DESCRIPTION	APPROVED BY	DATE
A				



RECOMMENDED PCB LAYOUT  
FEMALE\MALE

Product Specification

Material

Insulator : Glass-Filled Thermoplastic PBT, UL94V-0

Contact : Brass

Shell : Steel, 100u" Tin Over 50u" min Copper

Clinch Nut : Brass, Nickel Plated.

Boardlock : Brass, Tin Plated.

Screwlock : Brass, Nickel Plated.

Electrical

Contact Resistance : 20 milliohms

Max at 1 AMP DC.

Insulation Resistance : 1000  
megohms at 500 VDC

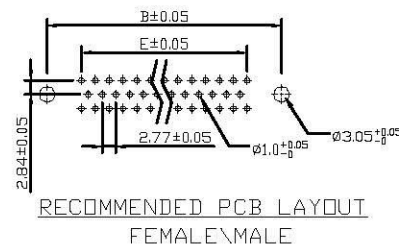
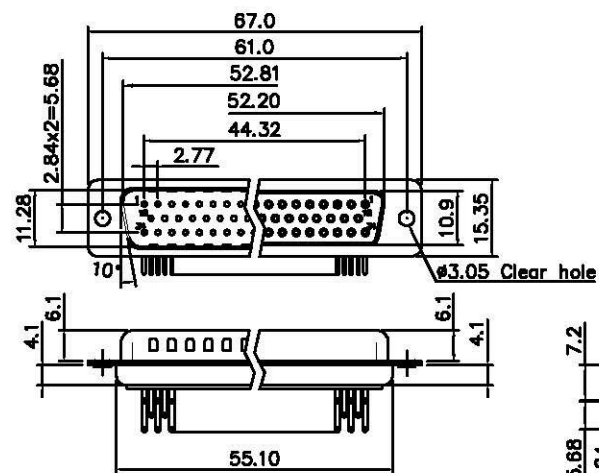
Dielectric Withstanding Voltage :  
1000 VAC/rms 60Hz for 1 minute

Current Rating : 3 AMP

Volatge Rating : 250 VAC/rms 60Hz

Dimensions 7.2mm Footprint Machined Pin (W/O Rear Cover)

Positions	A	B	C	D	E	F
9	30.81	24.99	16.92	16.33	11.08	19.20
15	39.20	33.30	25.25	24.70	19.39	27.70
25	53.05	47.04	38.96	38.40	33.24	41.10
37	69.40	63.50	55.42	54.80	49.86	57.30



RECOMMENDED PCB LAYOUT  
FEMALE\MALE

50 Positions Machined Pin (W/O Rear Cover)

DO NOT SCALE DRAWING

DIMENSIONS:	
<input type="checkbox"/> MM (INCH)	<input type="checkbox"/> INCH (mm)
<input checked="" type="checkbox"/> MM ONLY	
UNLESS OTHERWISE SPECIFIED, GENERAL TOLERANCE:	
DECIMALS	ANGLES
.X ±0.38 [0.015]	X° ±3°
.XX ±0.25 [0.010]	.X° ±1.0°
.XXX ±0.13 [0.005]	
MATERIAL	
FINISH	

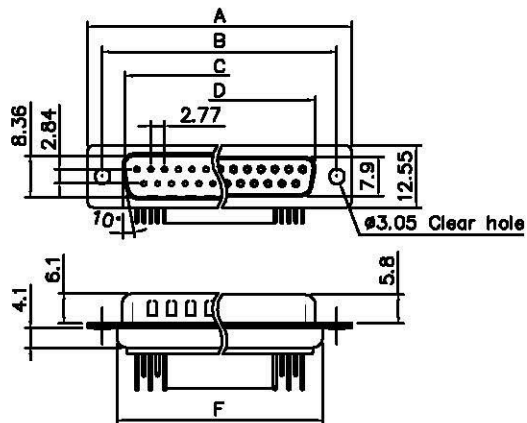
CAD GENERATED DRAWING, DO NOT MANUALLY UPDATE	
DRAWN BY AND DATE JUSTIN XING 12-19-05	
CHECKED BY AND DATE JUSTIN XING 12-19-05	
APPROVED BY AND DATE KING CHIU 12-19-05	
THIRD ANGLE PROJECTION	
SCALE: 1 : 1	
SIZE: A3	

<small>www.allconnectors.de Tel.: 0049 711 2907541 70794 Filzbergpark - Germany</small>	
<small>info@allconnectors.de Fax: 0049 711 2907504 cert@certstr.25</small>	
TITLE	
107 SERIES D-SUB RIGHT ANGLE TYPE	
DRAWING NO.	REV
107-XXXXXXXXXXXX	A
FILE NO:	SHEET 3 OF 6

THE INFORMATION CONTAINED IN THIS DOCUMENT IS PROPRIETARY TO Y-S ELECTRONIC, ANY REPRODUCTION IN PART OR WHOLE WITHOUT PRIOR WRITTEN APPROVAL OR AUTHORIZATION OF Y-S ELECTRONIC IS STRICTLY PROHIBITED.

RoHS COMPLIANT

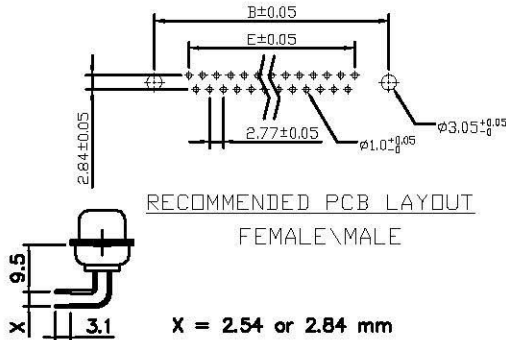
REVISIONS				
REV	ECN NO.	DESCRIPTION	APPROVED BY	DATE
A				



9.4mm Footprint Machined Pin (W/O Rear Cover)

Dimensions

Positions	A	B	C	D	E	F
9	30.81	24.99	16.92	16.33	11.08	19.20
15	39.20	33.30	25.25	24.70	19.39	27.70
25	53.05	47.04	38.96	38.40	33.24	41.10
37	69.40	63.50	55.42	54.80	49.86	57.30



RECOMMENDED PCB LAYOUT  
FEMALE\MALE

X = 2.54 or 2.84 mm

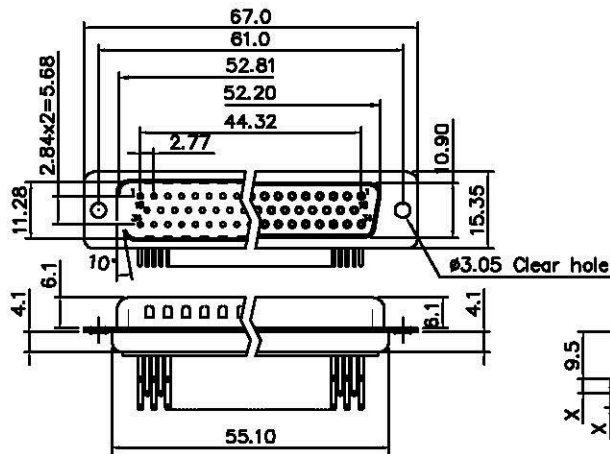
Product Specification

Material

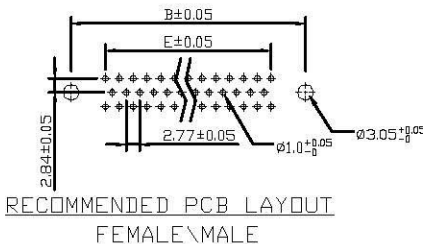
Insulator : Glass-Filled Thermoplastic PBT, UL94V-0  
 Contact : Brass  
 Shell : Steel, 100u" Tin Over 50u" min Copper  
 Clinch Nut : Brass, Nickel Plated.  
 Boardlock : Brass, Tin Plated.  
 Screwlock : Brass, Nickel Plated.

Electrical

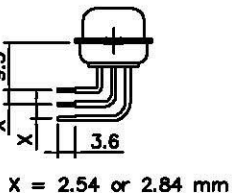
Contact Resistance : 20 milliohms  
 Max at 1 AMP DC.  
 Insulation Resistance : 1000  
 megohms at 500 VDC  
 Dielectric Withstanding Voltage :  
 1000 VAC/rms 60Hz for 1 minute  
 Current Rating : 3 AMP  
 Voltage Rating : 250 VAC/rms 60Hz



50 Positions Machined Pin (W/O Rear Cover)



RECOMMENDED PCB LAYOUT  
FEMALE\MALE



X = 2.54 or 2.84 mm

DO NOT SCALE DRAWING

DIMENSIONS: <input type="checkbox"/> MM (INCH) <input type="checkbox"/> INCH (mm) <input checked="" type="checkbox"/> MM ONLY		CAD GENERATED DRAWING, DO NOT MANUALLY UPDATE	
UNLESS OTHERWISE SPECIFIED, GENERAL TOLERANCE: DECIMALS ANGLES X: ±0.38 [0.015] X°: ±3° .X: ±0.25 [0.010] .X°: ±1.0° .XX: ±0.13 [0.005]		CHECKED BY AND DATE JUSTIN XING 12-19-05	
MATERIAL		APPROVED BY AND DATE KING CHIU 12-19-05	
FINISH		THIRD ANGLE PROJECTION	
SCALE: 1:1		SIZE: A3	

 www.allconnectors.de Tel: 0049 418 700200 70794 Filzschmitt Germany info@allconnectors.de Fax: 0049 418 700204 ksmc@allconnectors.de		TITLE	
		107 SERIES D-SUB RIGHT ANGLE TYPE	
DRAWING NO.		REV	
107-XXXXXXXXXXXX		A	
FILE NO:		SHEET 4 OF 6	

THE INFORMATION CONTAINED IN THIS DOCUMENT IS PROPRIETARY TO Y-S ELECTRONIC, ANY REPRODUCTION IN PART OR WHOLE WITHOUT PRIOR WRITTEN APPROVAL OR AUTHORIZATION OF Y-S ELECTRONIC IS STRICTLY PROHIBITED.

REVISIONS

REV	ECN NO.	DESCRIPTION	APPROVED BY	DATE

**RoHS COMPLIANT**

Ordering Information

107 -  $\frac{XX}{a} \frac{X}{b} \frac{X}{c} \frac{X}{d} \frac{X}{e} \frac{X}{f} \frac{X}{g} \frac{X}{h} \frac{X}{i} \frac{X}{j}$

a. No. Of Contacts:

- 09: 09 positions
- 15: 15 positions
- 25: 25 positions
- 37: 37 positions

b. Contact Type

- 1: Male 3: Male(reverse direction)
- 2: Female 4: Female(reverse direction)
- 6: Female(3.5mm)
- 8: Female(4.0mm)

c. Contact Plating

- 0: Gold flash selective gold(standard)
- 1: 5u"selective gold on contact
- 2: 10u"selective gold on contact
- 3: 15u"selective gold on contact
- 4: 30u"selective gold on contact
- 5: 50u"selective gold on contact
- 6: Gold flash full gold
- 7: Gold flash selective gold add plating
- 8: Full tin
- 9: Matte tin
- A: 30u"selective gold on contact;matte tin
- B: 15u"gold flash full gold

d. Shell plating :

- 0: Cr<sup>+3</sup>yellow chrome
- 1: Nickel(standard)
- 2: Tin
- 3: Cr<sup>+6</sup>yellow chrome
- 4: Gold flash
- 5: Tin, not dimple
- 6: Cr<sup>+6</sup>yellow chrome, dimple
- 7: Special tin, dimple
- 8: Cr<sup>+3</sup>yellow chrome, dimple
- 9: Matte tin
- A: Nickel plated(With Y-S Logo)
- B: Tin plated(With Y-S Logo)

e. Insulator Color

- 1: Blue 9: PC99 Purple
- 2: Black(standard) A: Black W/O halogen
- 3: White
- 4: Gray
- 5: Green
- 6: Black(high temperature)
- 7: PC99 red
- 8: PC99 yellow

f. Rivet Options :

- 0: None
- 1: Grounding Strap #4-40 threaded on panel
- 2: Grounding Strap #4-40 threaded on PCB&panel
- 3: Grounding Hook Boardlock+2 prong(Tin)
- 4: Grounding Hook Boardlock+4 prong
- 5: Grounding Strap, M3
- 6: Grounding Strap, clear hole
- 7: Plastic, Grounding Strap+Grounding Hook Boardlock 2 prong
- 8: Plastic, L-shaped bracket(suspend machined pin)
- 9: Grounding Strap full include(13.84mm)
- A: Grounding Strap half include(13.84mm)
- B: Grounding Strap full include(7.2mm)
- C: Grounding Hook Boardlock+2 prong(matte tin)
- D: Grounding Hook Boardlock+4 prong(matte tin)
- E: Rear rivet, 4.0mm

g. Flange Mounting Option :

- 0:  $\varnothing$ 3.05mm clear hole
- 1: #4-40 threaded hole

- 2: #4-40 threaded hole with #4-40 unc(4.8\*11.8mm)screwlock installed
- 3: #4-40 threaded hole with #4-40 unc(4.8\*11.8mm)screwlock bulk-packed
- 4: M3 threaded hole
- 5: #4-40 threaded hole with M3(4.8\*11.8mm)screwlock installed
- 6: M2.6 threaded hole
- 7: #4-40 threaded hole with M2.6(4.8\*11.8mm)screwlock installed
- 8: #4-40 threaded hole with screw locking type #4-40 unc(4.80\*11.80mm)
- 9: Front hex rivet, 5.9mm (#4-40 unc)
- A: #4-40 threaded hole with pan head screw(cross slot) screwlock installed
- B: #4-40 threaded hole with #4-40 unc(6.2\*11.8mm)screwlock installed
- C: #4-40 threaded hole with M2.6(5.8\*11.8mm)screwlock installed
- D: #4-40 threaded hole with M3(4.8\*11.8mm)screwlock installed+flat washer
- E: #4-40 threaded hole with M3(5.0\*13.0mm)screwlock installed
- F: #4-40 threaded hole with M2.6(5.8\*11.8mm)screwlock installed
- G: #4-40 threaded hole with #4-40 unc(5.8\*10.8mm)screwlock installed
- H: M3 boardlock
- I: #4-40 threaded hole with #4-40 unc(5.8\*11.8mm)screwlock installed
- J: #4-40 threaded hole with #4-40 unc(4.8\*11.8mm)screwlock installed+flat washer
- K: Front hex rivet, 5.9mm(M3)
- L: #4-40 threaded hole with screw locking type M3(5.8\*11.8mm)
- M: Front round rivet, #4-40 unc
- N: #4-40 unc boardlock installed
- O: #4-40 threaded hole with #4-40 unc(5.8\*11.8mm)screwlock bulk-packed
- P: Front hex rivet(5.0mm), M3
- Q: #4-40 threaded hole with screw locking type M3(5.8\*10.8mm)
- R: #4-40 threaded hole with screw locking type #4-40 unc(5.8\*11.8mm)
- S: Front nuts #4-40unc with round "-" font #4-40 unc(6.1\*11.94mm)screwlock installed
- T: #4-40 threaded hole with round "-" font #4-40 unc(5.0\*10.0mm)screwlock installed
- U: #4-40 threaded hole with screw locking type with round "-" font #4-40 unc(6.1\*11.94mm)
- V: #4-40 threaded hole with #4-40 unc(3.9\*10.57mm)screwlock installed
- W: #4-40 threaded hole with #4-40 unc(4.2\*10.7mm)screwlock installed
- X: #4-40 threaded hole with #4-40 unc(5.8\*13.0mm)screwlock installed
- Y: #4-40 threaded hole with #4-40 unc(5.0\*10.0mm)screwlock installed

h. Contact Type :

- 1: Stamped contact
- 2: Machined contact
- 3: Machined contact(with shaped plastic)
- 4: Stamped contact(Phospor Bronze)

i. Ferrite Options :

- 0: Without Ferrite
- 1: With Ferrite

j. Footprint :

- 1: 7.2mm footprint
- 2: 9.4mm footprint
- 3: 13.84mm footprint Type 1 (plastic long Type, Boardlock 7.2mm)
- 4: 13.84mm footprint Type 2 (plastic long Type, Boardlock 13.84mm)
- 5: 5.08mm footprint
- 6: 3.0mm footprint
- 7: 13.84mm footprint Typ 3 (plastic short Type, Boardlock 7.2mm)

DO NOT SCALE DRAWING

DIMENSIONS:	
<input type="checkbox"/> MM [INCH]	<input type="checkbox"/> INCH [mm]
<input checked="" type="checkbox"/> MM ONLY	

UNLESS OTHERWISE SPECIFIED, GENERAL TOLERANCE:	
DECIMALS	ANGLES
X: ±0.38 [0.015]	X°: ±3°
.X: ±0.25 [0.010]	.X°: ±1.0°
.XX: ±0.13 [0.005]	

MATERIAL	
FINISH	

CAD GENERATED DRAWING, DO NOT MANUALLY UPDATE

CHECKED BY AND DATE  
JUSTIN XING 07-20-06

APPROVED BY AND DATE  
KING CHIU 07-20-06

THIRD ANGLE PROJECTION

SCALE: 1:1

SIZE: A3

**All Connectors**

www.allconnectors.de  
Tel: +49 89 21 4152415  
All-Info@connectors.de

Info@allconnectors.de  
Tel: +49 89 21 4152415  
Kontakt@allconnectors.de

TITLE

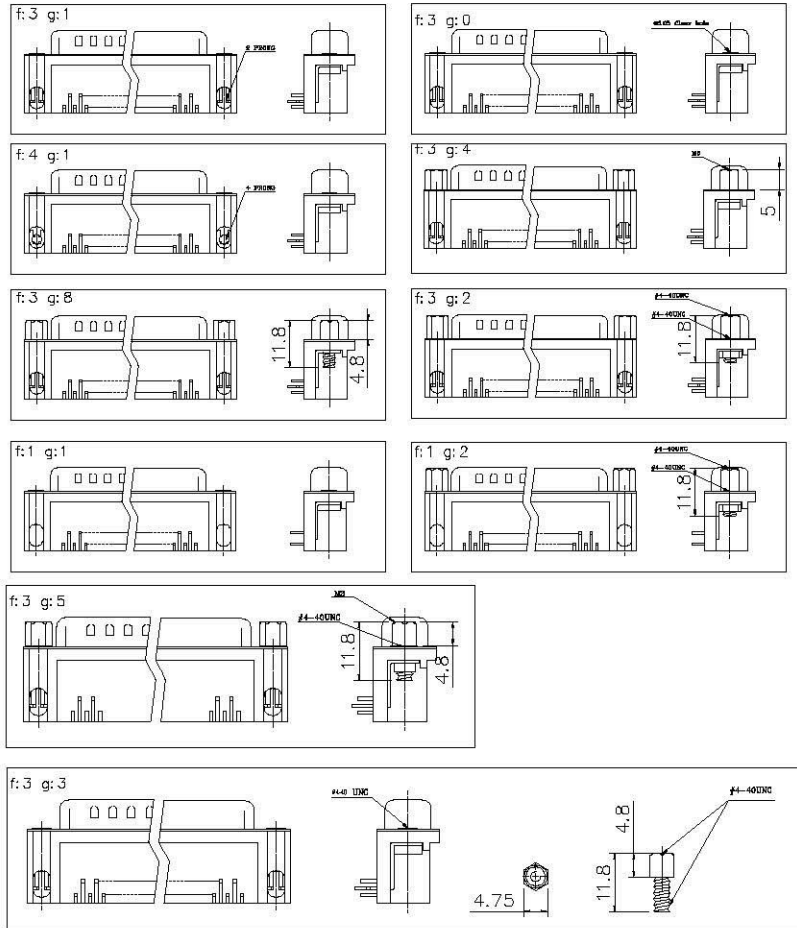
107 SERIES  
D-SUB RIGHT ANGLE TYPE

DRAWING NO.	REV
107-XXXXXXXXXXXX	E
FILE NO:	SHEET 5 OF 6

THE INFORMATION CONTAINED IN THIS DOCUMENT IS PROPRIETARY TO Y-S ELECTRONIC, ANY REPRODUCTION IN PART OR WHOLE WITHOUT PRIOR WRITTEN APPROVAL OR AUTHORIZATION OF Y-S ELECTRONIC IS STRICTLY PROHIBITED.

RoHS COMPLIANT

REVISIONS				
REV	ECN NO.	DESCRIPTION	APPROVED BY	DATE



DO NOT SCALE DRAWING

DIMENSIONS:	
<input type="checkbox"/> MM (INCH)	<input type="checkbox"/> INCH (mm)
<input checked="" type="checkbox"/> MM ONLY	
UNLESS OTHERWISE SPECIFIED, GENERAL TOLERANCE:	
DECIMALS	ANGLES
.X ±0.38 [0.015]	X° ±3°
.X ±0.25 [0.010]	.X° ±1.0°
.XX ±0.13 [0.005]	
MATERIAL	
FINISH	

CAD GENERATED DRAWING, DO NOT MANUALLY UPDATE	
DRAWN BY AND DATE JUSTIN XING 12-19-05	
CHECKED BY AND DATE JUSTIN XING 12-19-05	
APPROVED BY AND DATE KING CHIU 12-19-05	
THIRD ANGLE PROJECTION	
SCALE: 1 : 1	SIZE: A3

<small>www.allconnectors.de Tel.: 0049 211 2094003 47594 Hildesheim, Germany</small>	<small>info@allconnectors.de Fax: 0049 211 2094004 Kuddehornstr. 22</small>
TITLE 107 SERIES D-SUB, RIGHT ANGLE TYPE	
DRAWING NO. 107-XXXXXXXXXXXX	REV A
FILE NO:	SHEET 6 OF 6