

1 2 3 4 5 6 7 8 9 0

J

I

H

G

F

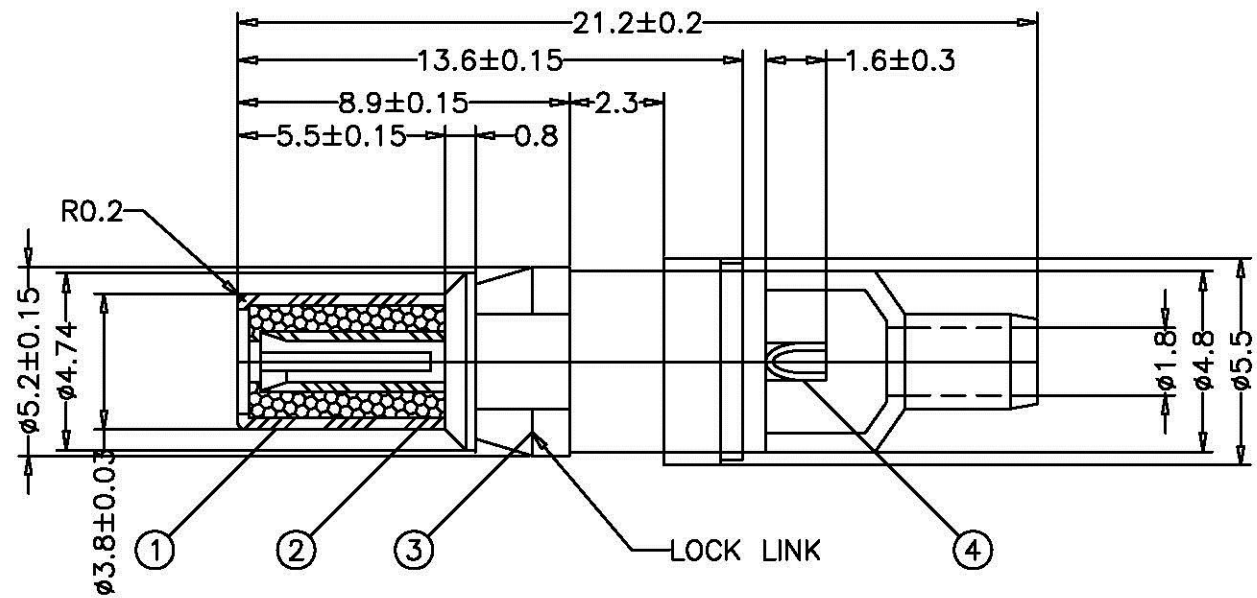
E

D

C

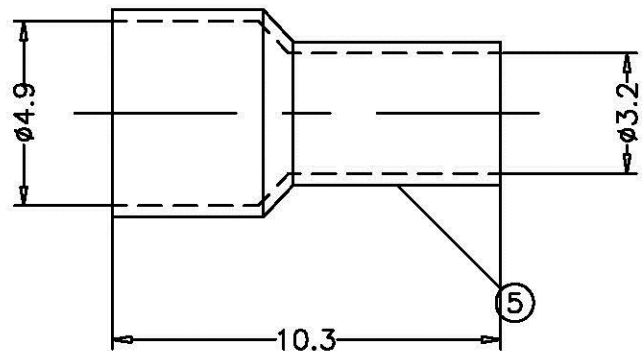
B

A



DXS-M-xx-LF  
LEADFREE  
50:50 OHM  
75:75 OHM

RoHS Compliant



NO.	DESCRIPTION	MATERIAL	FINISH OR OTHER
1	Body	Brass	Gold flash or Gold plated over 1.27um (50u") Nickel
2	INSULATOR	TEFLON	UL 94V-0 OLOR WHITE
3	LOCK LINK	Brass	Nickel plated
4	CENTER CONTACT	Brass	Gold flash or Gold plated over 1.27um (50u") Nickel
5	SLEEVE	Brass	Gold flash OVER 1.27um (50u") Nickel

**All Connectors**  
www.allconnectors.de  
tel.: 0049 711 7009503  
70794 Filzbergstr. - Germany

PART NO. DXS-M-xx

DWG NO. DXS-M-xx

FILE NO.

UNIT / mm

SCALE 1:1

CHECKED BY CY

DRAWING BY

PROJECTION

TOLERANCES ARE

.X ± 0.2  
.XX ±  
.XXX ±  
AWG

DESCRIPTION:  
AREA

Coaxial Receptacle Contact  
( Straight Solder Cup Type )  
REVISIONS  
HK  
DATE