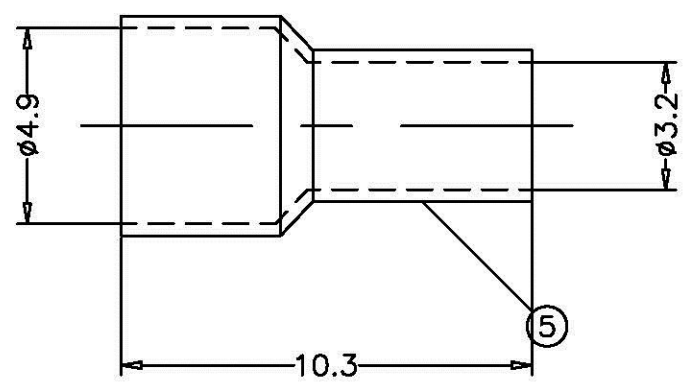


DXS-F-xx-LF
 LEADFREE
 50:50 OHM
 75:75 OHM
 RoHS Compliant



NO.	DESCRIPTION	MATERIAL	FINISH OR OTHER
1	Body	Brass	Gold flash or Gold plated over 1.27um (50u") Nickel
2	INSULATOR	TEFLON	UL 94V-0 COLOR WHITE
3	LOCK LINK	Brass	Nickel plated
4	CENTER CONTACT	Brass	Gold flash or Gold plated over 1.27um (50u") Nickel
5	SLEEVE	Brass	Gold flash OVER 1.27um (50u") Nickel

All Connectors

www.allconnectors.de
 info@allconnectors.de
 Fildorfer Str. 28/30-32
 71634 Hilderstett - Germany

PART NO. DXS-F-xx

DWG NO. DXS-F-xx

FILE NO.

UNIT / mm

SCALE 1:1

CHECKED BY CY

DRAWING BY

PROJECTION

TOLERANCES ARE

.X ± 0.2
 .XX ±
 .XXX ±
 AWG

DESCRIPTION:

Coaxial Plug Contact
 (Straight Solder Cup Type)

AREA

REVISIONS

HK

DATE