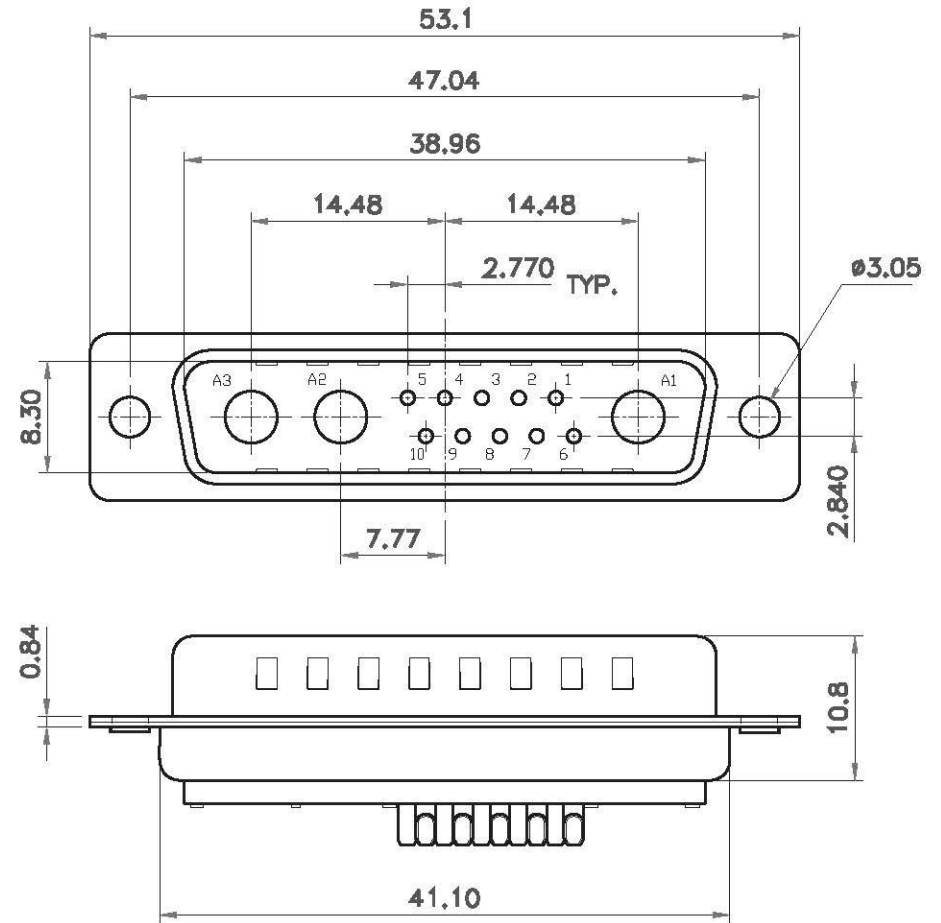
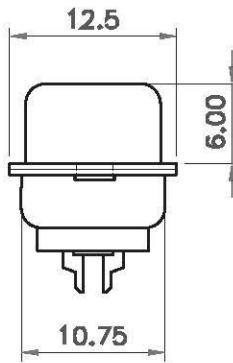


1 2 3 4 5 6 7 8 9 0

J
I
H
G
F
E
D
C
B
A



Material: Insulator: Glass filled Polyester UL 94V-0
 Contact: Brass
 Shell: Steel, Tin plated as standard

DWS-P-13W3-LE
 LEADFREE
 RoHS Compliant

	PART NO. DWS-P-13W3		CHECKED BY CY DRAWING BY	TOLERANCES ARE X ± .X ± 0.3 .XX ± 0.2 .XXX ± 0.1 ANG	DESCRIPTION: 13w3 PLUG COMBO D-SUB CONNECTOR		
	DWG NO. DWS-P-13W3				AREA		
www.allconnectors.de info@allconnectors.de Tel: 0049 711 / 005008 Fax: 0049 711 / 005009 70794 Filsdorfstadt, Germany Kettelerstr. 25	FILE NO.	UNIT / mm SCALE 1:1	PROJECTION	REVISIONS	DATE		