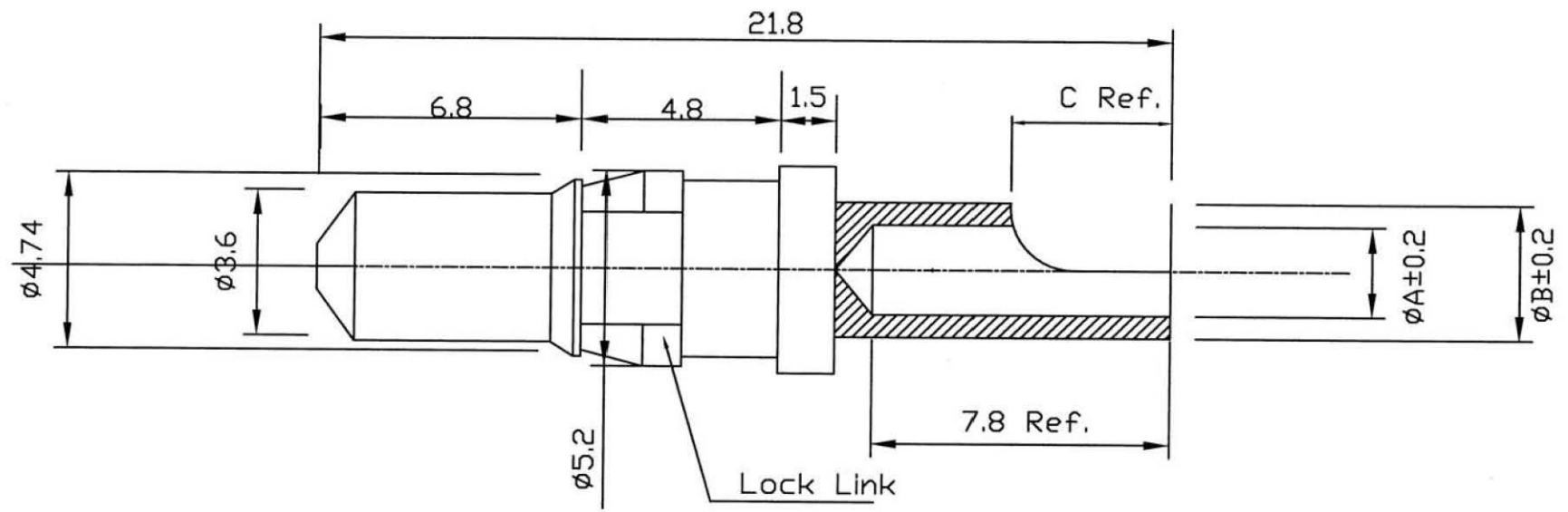


DWS-M-xx-LF
LEADFREE

40:40AMP
30:30AMP
20:20AMP
10:10AMP
05: 5AMP

RoHS Compliant

Current Rating (AMP)	Wire Size	Dimension	
		ø A	ø B
40	AWG#08	4.6(.181)	5.5(2.17)
30	AWG#10	3.6(.142)	4.6(.181)
20	AWG#12	2.7(.106)	3.6(.142)
10	AWG#16	1.7(.067)	2.5(.098)
5	AWG#26	1.0(.039)	1.7(.067)



NO.	Description	Material	Finished or others
2.	Body Contact	Brass	Gold Plated over Nickel
1.	Lock Link	Brass	Nickel Plated

All Connectors
www.allconnectors.de
Tel.: 0049 211 2005008
Allerstraße 12, 40549 Düsseldorf, Germany

PART NO. DWS-M-xx

DWG NO. DWS-M-xx

CHECKED BY CY

DRAWING BY

TOLERANCES ARE
.X±0.2
.XX±0.1
.XXX±
AWG

UNIT / mm

SCALE 1:1

PROJECTION

DESCRIPTION:			
AREA	REVISIONS	HK	DATE