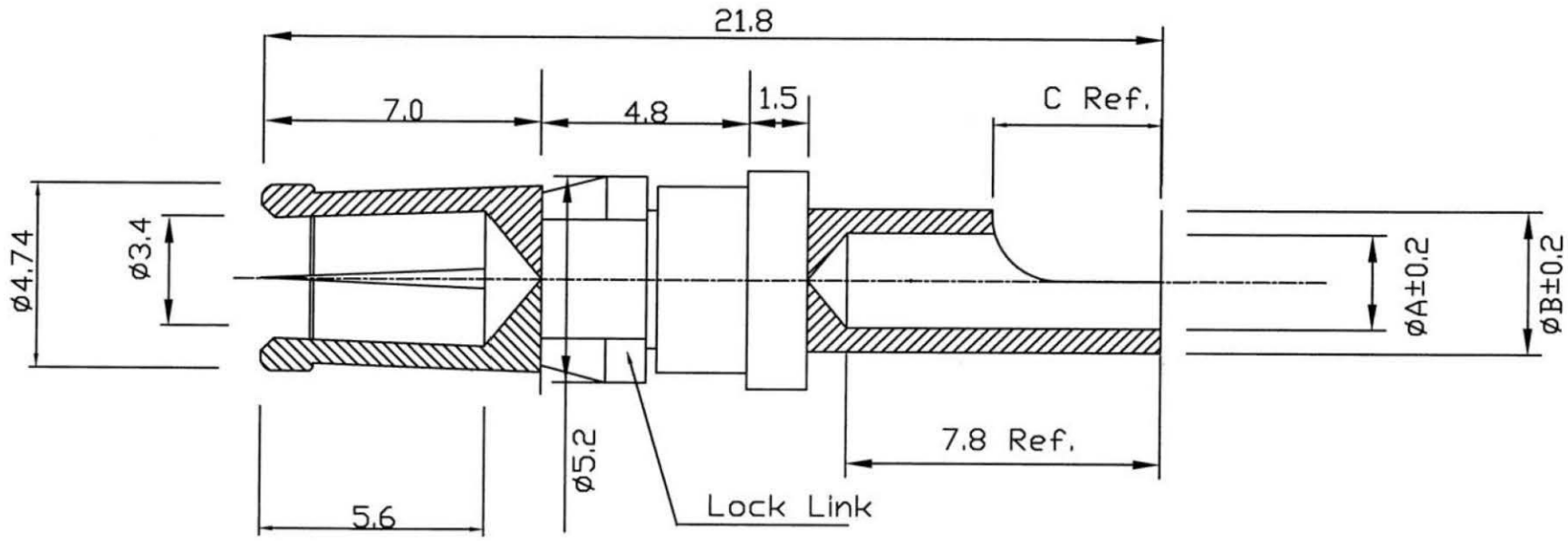


DWS-F-xx-LF
LEADFREE

40:40AMP
30:30AMP
20:20AMP
10:10AMP
05: 5AMP

RoHS Compliant

Current Rating (AMP)	Wire Size	Dimension	
		ø A	ø B
40	AWG#08	4.6(.181)	5.5(2.17)
30	AWG#10	3.6(.142)	4.6(.181)
20	AWG#12	2.7(.106)	3.6(.142)
10	AWG#16	1.7(.067)	2.5(.098)
5	AWG#26	1.0(.039)	1.7(.067)



NO.	Description	Material	Finished or others
2.	Body Contact	Brass	Gold Plated over Nickel
1.	Lock Link	Brass	Nickel Plated

Allconnectors
www.allconnectors.de
Info@allconnectors.de
Tel: +0049 711 7009103
Fax: +0049 711 7009104
70372 Bietigheim-Lesum, Germany
Kulmbacher Str. 29

PART NO. DWS-F-xx
DWG NO. DWS-F-xx
FILE NO.
UNIT / mm SCALE 1:1

CHECKED BY CY
DRAWING BY
PROJECTION

TOLERANCES ARE
.X±0.2
.XX±0.1
.XXX±
AWG

DESCRIPTION:
AREA REVISIONS HK DATE