

Recommended P.C.B Layout

Material and finish :

Shell :

Steel Material tin coat over nickel

Thermoplastic polyester

Insulator :

PBT UL 94V-0 color : Black

Operating Temperature :

55°C to + 125°C

Contact :

Brass

Lock link :

Brass with nickel plated

Contact surface :

gold plated over nickel

Current rating :

40A

Contact insertion force :

4.5KG Max

Contact separation force :

0.3KG Min

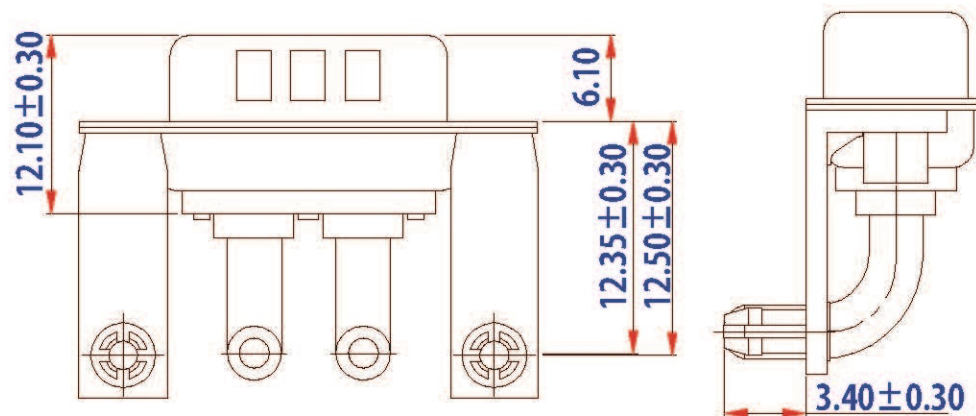
Contact resistance :

5 milliohms Max.

Insulator resistance :

5000 Megohms Min.

Dielectric Withstanding Voltage : AC 1000V for 1 minute



DWR-PxxLN32-02V2-LF
LEADFREE

RoHS Compliant

PART NO.	Current Rating	Dimension	Dimension
		ø A	øB
DWR-P40LN32-02V2	40 AMPS	ø3.75	ø4.20
DWR-P20LN32-02V2	20 AMPS	ø2.8	ø3.28
DWR-P10LN32-02V2	10 AMPS	ø1.7	ø2.20

All Connectors

www.allconnectors.de
Tel.: 0049 711 7009308
70794 Fellbach, Germany

info@allconnectors.eu
Fax: 0049 711 7009304
Kellernstr. 25

PART NO. DWR-PxxLN32-02V2

DWG NO. DWR-PxxLN32-02V2

FILE NO.

UNIT / mm

SCALE 1:1

CHECKED BY CY

DRAWING BY

PROJECTION

TOLERANCES ARE

X ±
.X ±
.XX ±
.XXX ±
ANG

DESCRIPTION:

AREA

REVISIONS

DATE