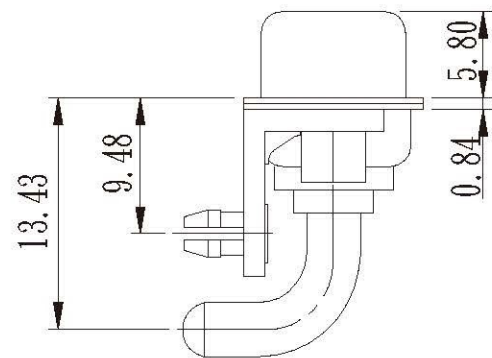
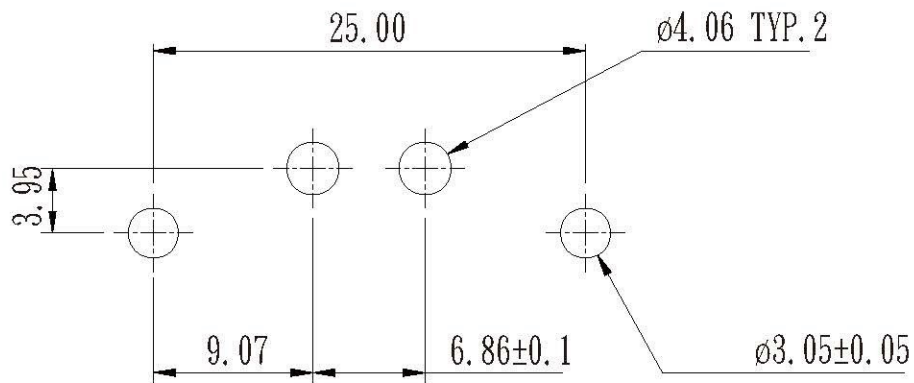
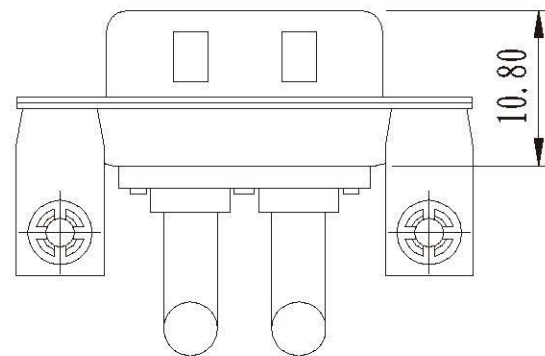


DWR-P30ZN-02V2-LF
LEADFREE
RoHS Compliant



Recommended P.C Board Layout

All Connectors

www.allconnectors.de
Tel: 0049 711 706508
70754 Filderstadt - Germany

info@allconnectors.de
Fax: 0049 711 706504
Rellenerstr. 25

PART NO. DWR-P30ZN-02V2

DWG NO. DWR-P30ZN-02V2

FILE NO.

UNIT / mm

SCALE 1:1

CHECKED BY CY

DRAWING BY

PROJECTION



TOLERANCES ARE

.X ± 0.2
.XX ±
.XXX ±
AWG

DESCRIPTION:

AREA

REVISIONS

HK

DATE