

Technical Data

Table 1
Material

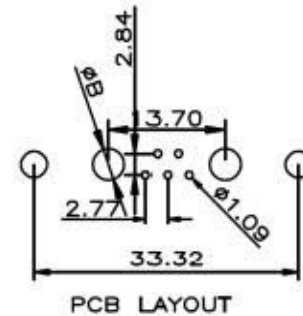
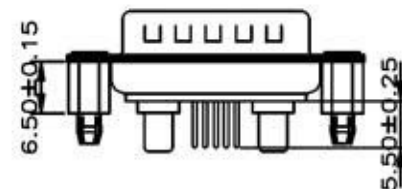
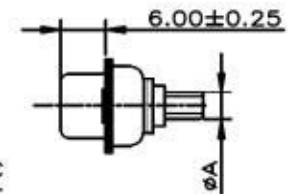
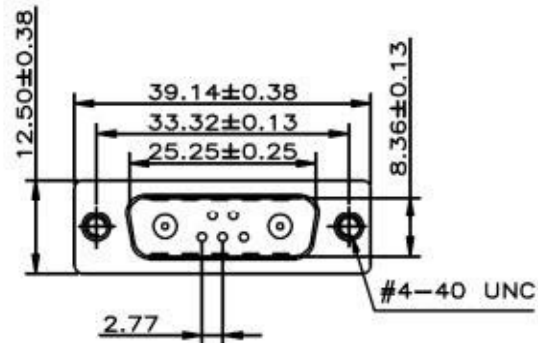
Coaxial Contact	Brass
Power Contact	Brass
Signal Contact	Brass
Metal Shell	Steel/Dimples on Plug only
Insulator	UL94V-0 Thermoplastic 30% glass filled
Coaxial Center Insulator	Teflon
Metal Bracket	Steel
Boardlock	Brass
Screw	Brass

Table 2
Finish

Coaxial Contact	Gold-plated
Power Contact	Gold-plated
Signal Contact	Gold-plated
Metal Shell	Tin or nickel plated
Screw	Nickel plated
Metal Bracket	Nickel plated
Boardlock	Nickel plated

Table 3
Electrical Data

Current Rating	
Signal Contact	5 Amp
Power Contact	10 - 40 Amp
Operating Temperature	-55°C - +125°C
Insulator Resistance	Minimum 5000 MΩ
Contact Resistance	Maximum 10mΩ
Dielectric w/standing Volt	1000 V AC per min
Coaxial contact impedance	75Ω



Current Rating	Dimension	
	φA	φB
40 AMPS	φ3.75	φ4.20
20 AMPS	φ2.80	φ3.28
10 AMPS	φ1.70	φ2.20

DWD-PxxZ-07W2-LF

LEADFREE

10:10AMPS
20:20AMPS
40:40AMPS

RoHS Compliant

All Connectors

PART NO. DWD-PxxZ-07W2

DWG NO. DWD-PxxZ-07W2

CHECKED BY CY

TOLERANCES ARE

DESCRIPTION:

FILE NO.

DRAWING BY

X ± 0.2
XX ± 0.1
XXX ±
AWG

AREA

REVISIONS

HK

DATE

UNIT / mm

SCALE 1:1

PROJECTION

