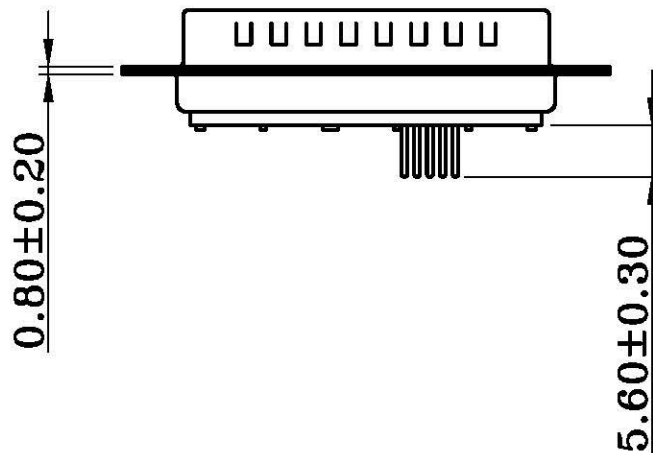


PCB LAYOUT



MATERIALS AND FINISH

SHELL : STEEL MATERIAL, FRONT SHELL TIN FINISHED
 BACK SHELL TIN FINISHED
 DIMPLES ON PLUG ONLY

INSULATOR : PBT THERMOPLASTIC, 30% GLASS FILLED,
 UL 94V-0 RATED, BLACK COLOR

SIGNAL CONTACT : COPPER ALLOY, FULL GOLD FLASH

ELECTRICAL CHARACTERISTICS

SIGNAL CONTACT CURRENT RATING : 5.0 AMPS

SIGNAL CONTACT RESISTANCE : 2.7 mΩ MAX.

DIELECTRIC WITHSTANDING VOLTAGE : 1000 V AC FOR 1 MINUTE

INSULATION RESISTANCE : 5GΩ MIN.

TEMPERATURE RATING : -55°C ~ +125°C

DWD-P-09W4-LF
 LEADFREE

RoHS Compliant

All Connectors

www.allconnectors.de
 TEL: 0049 711 7009503
 70734 Filderstadt - Germany

info@allconnectors.de
 Fax: 0049 711 7009501
 Keltenerstr. 25

PART NO. DWD-P-09W4

DWG NO. DWD-P-09W4

FILE NO.

UNIT / mm

SCALE 1:1

CHECKED BY CY

DRAWING BY

PROJECTION



TOLERANCES ARE

.X ± 0.2
 .XX ±
 .XXX ±
 AWG

DESCRIPTION:

AREA

REVISIONS

HK

DATE