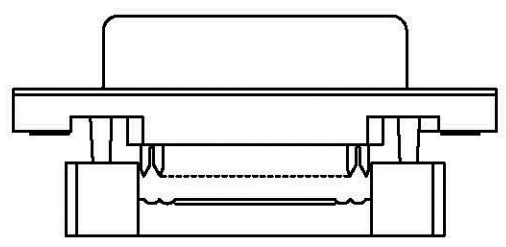
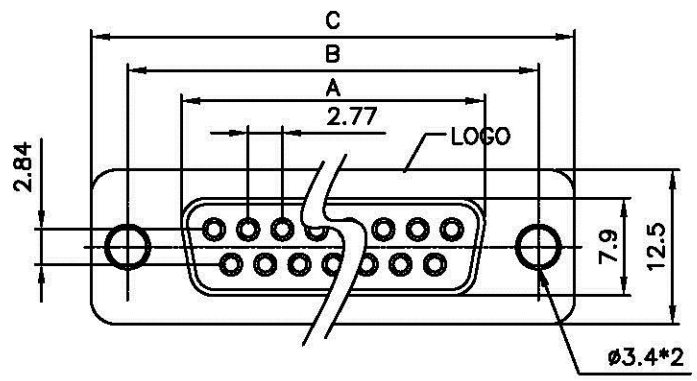
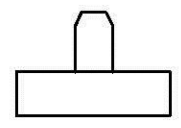
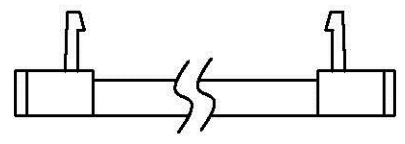
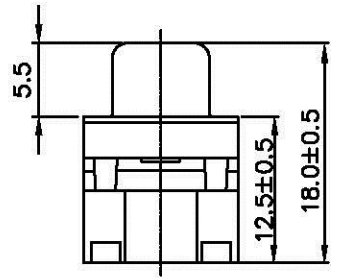
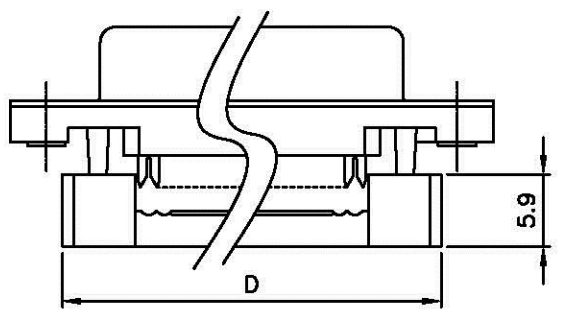


1 2 3 4 5 6 7 8 9 0

J
I
H
G
F
E
D
C
B
A



COXOC 212A-X
CONTACT PLATING



SPECIFICATION

MATERIAL
 Insulator: Polyester resin and glass fiber reinforced (UL 94V-0)
 Contacts: Phosphor bronze
CONTACT PLATING
 Underplate: 50u" Nickel
 Contact area: 1u"~30u" Selective Gold
 Solder tails area: 100u" Tin/Lead
ELECTRICAL
 Operation voltage: 250 VAC max.
 Current rating: 3 Amps max.
 Contact resistance: 15 mohms max.
 Insulation resistance: 3000 Mohms min @ 500 VDC
 Dielectric withstanding voltage: 1000 VAC / minute
 Operating temperature: -55°C TO +105°C

POSITION	A	B	C	D
DFM-S-09	16.30	25.00	30.8	22.4
DFM-S-15	24.60	33.30	39.2	30.8
DFM-S-25	38.30	47.10	53.1	44.5
DFM-S-37	54.80	63.50	69.4	61.4

Allconnectors

www.allconnectors.de
 info@allconnectors.de
 Tel.: 0049 711 7001503
 Fax: 0049 711 7001504
 70794 Filzbergstr. 25

PART NO. DFM-S-xx

DWG NO. DFM-S-xx

FILE NO.

UNIT / mm

SCALE 1:1

CHECKED BY CY

DRAWING BY

PROJECTION

TOLERANCES ARE

X ± 0.3
 XX ± 0.2
 .XXX
 AWG

DESCRIPTION:
 AREA

D SUB IDC FOR FLAT RIBBON CABLE
 REVISIONS
 HK
 DATE