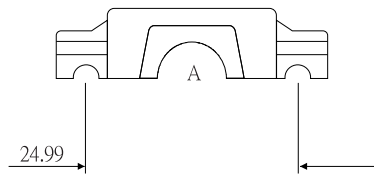
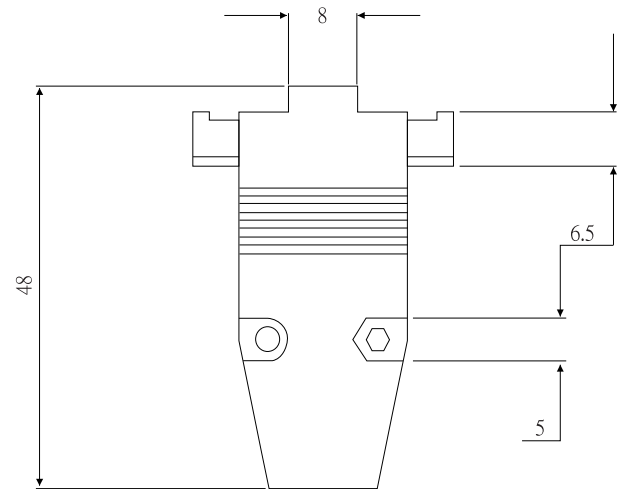
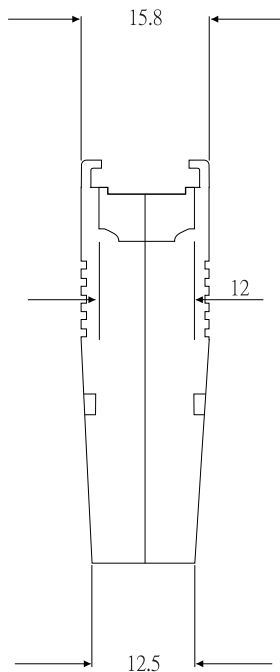
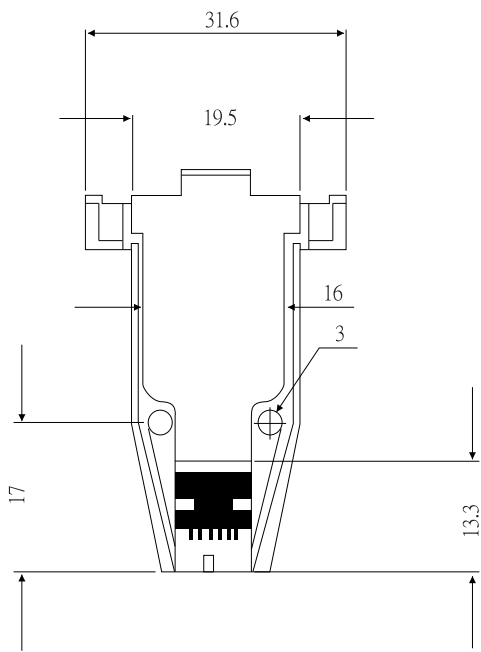



REV	DESCRIPTION	APPROVAL	DATE
A	新制定		06.05.30



A: 6, 6.5, 7, 7.5, 8, 9 FOR CABLE DIA.

UNIT: MM

 <small>www.allconnectors.eu   info@allconnectors.eu Tel. +49 (0)711 / 358 110 20   Fax +49 (0)711 / 358 110 25</small>		DRAWN BY	TOMMY
		CHECKED	
TITLE:	D-Sub Metal Hood		APPROVED
PART NO:	HS0904V01		DRAW NO
DRAW. BOX NO:			
SCALE	REV	A	UNIT mm 