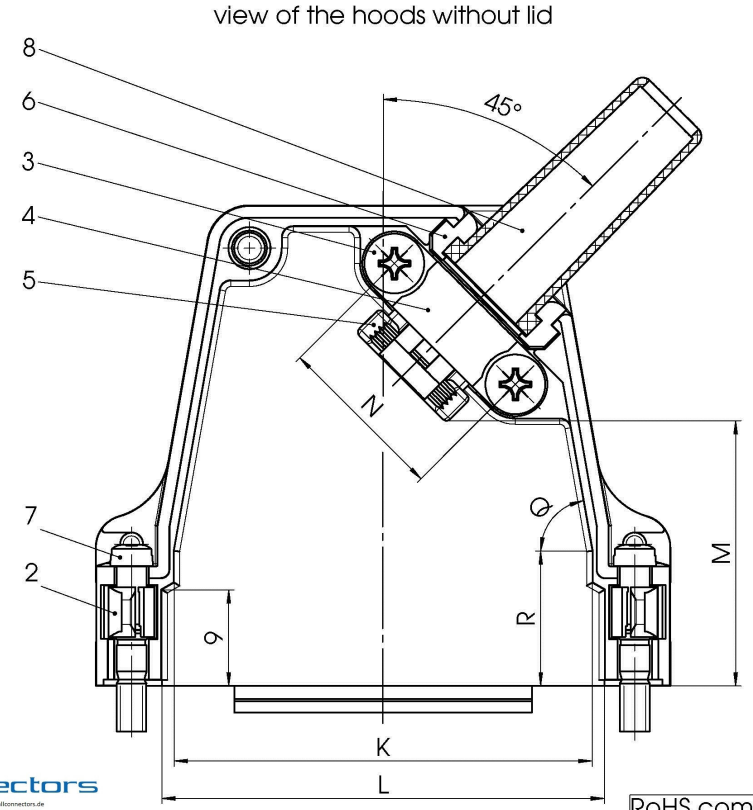
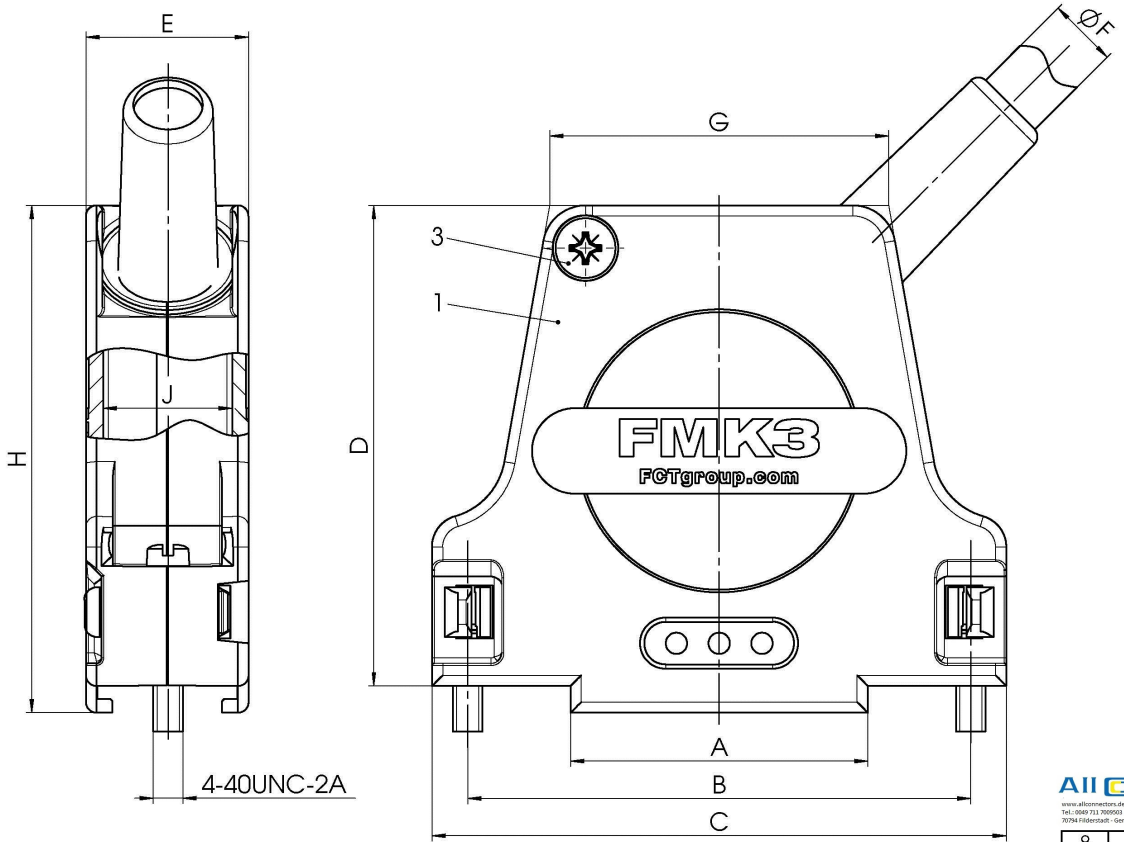


Order No.	Shell Size / for No. of Contacts	2				3		4		5							
		A	B	C	D	E	ØF1	ØF2	G	H	J	K	L	M	N	Q	R
FMK1	1 / 9	±0.3	±0.1	±0.3	±0.3	±0.3	min - max	max	±0.3	±0.3	±0.3	±0.3	±0.3	±0.5	±0.3	-	-
FMK2	2 / 15	14.9	25	31.6	39.5	15.2	3 - 9.5	6.5	FKT1-2	20.8	42	12.1	17	19.4	23	12	-
FMK3	3 / 25	27.8	47	53.7	45	15.2	3 - 8.5	8	FKT1-2A	31.7	47.5	12.1	39	41.4	25	16	80°
FMK4	4 / 37	44.3	63.5	70.2	48	18.2	3 - 12	9	FKT3-4	48.2	50.5	15.1	55.5	57.8	23.2	21	80°
FMK5	5 / 50	41.9	61.1	67.8	48	18.2	3 - 12	9.7	FKT3-4A	45.8	50.5	15.1	53.1	55.5	23.2	21	80°

ØF1 = Cable diameter without rubber bushing
 ØF2 = Cable diameter with rubber bushing



All Connectors
 www.allconnectors.de
 Tel: +049 713 705903
 Fax: +049 713 705904
 Kettelerstr. 25

RoHS compliant

No.	St.	Part	Type	Description/Material	Surface plating/Colour/Class
8	1	Rubber bushing	Elastomer		black
7	2	Locking screw	FVS1/5-K1163 / Steel		nickel plated
6	0/2	Cable reduction plate	Zinc die-cast		nickel plated over copper
5	1	Strain relief	Polyester		nickel plated over copper
4	1	Cable clamp	Steel		tin plated over nickel
3	3/4	Screw	Case hardened steel		zinc plated over copper
2	2	Catch spring	Polyester		black
1	1	Hood	FMK1-5 / Zinc die-cast		nickel plated over copper
				Type Description/Material	Surface plating/Colour/Class

① Part 8 not mounted
 FMK1 without pos. 6
 FMK1-3 with 3 screws (pos. 3)
 FMK4-5 with 4 screws (pos. 3)
 max. torque are 40 Ncm

15-04-2008		22060	Measurement without tolerance acc. to ISO 2768-m SCALE 2:1 TITLE Metal Hood	
1		15-04-2008	22060	NAME / DATE Meyer-RichterMUC 15-04-2008 CHECKED BurkhardtMUC 23-04-2008 fctgroup.com DWG.NO. FMK1-5 REV. 1
REV.	DATE	CH.-NO.	ORIGINAL DIN A3-DRAWING AS A FILE	REPLACEMENT FOR: FMK1-5_SW PAGES 1

COMMENT: THIS DRAWING IS THE PROPERTY OF ALL CONNECTORS. WITHOUT OUR PRIOR CONSENT, IT MAY NOT BE REPRODUCED OR TRANSMITTED IN ANY FORM OR BY ANY MEANS, ELECTRONIC OR MECHANICAL, INCLUDING PHOTOCOPYING, RECORDING, OR BY ANY INFORMATION STORAGE AND RETRIEVAL SYSTEM. IT ALSO MAY NOT BE IMPROPERLY USED BY THE RECEIVER OR A THIRD PARTY.