

REV.	DESCRIPTION	DRAWN	CHECKED	APPROVED
A	NEW RELEASE	YCH 12/31/09'	~	

NOTES:

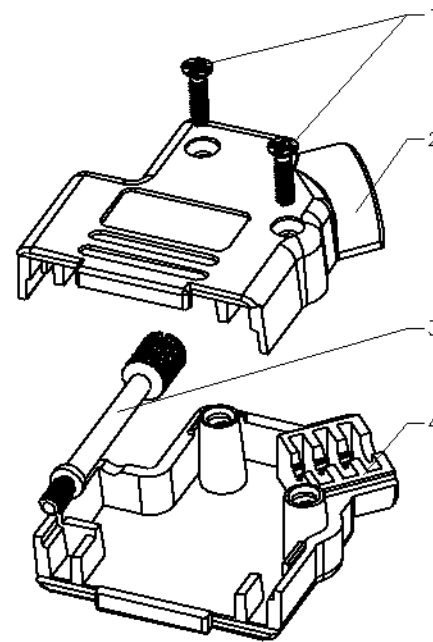
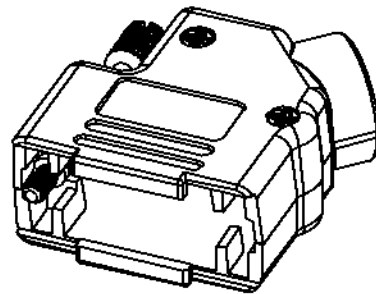
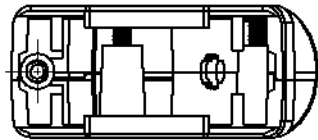
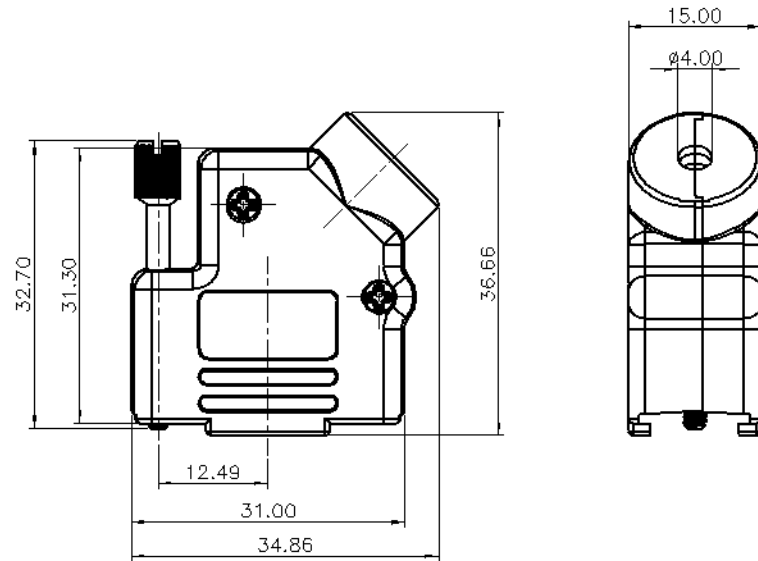
1. PART NUMBER CODE:

DS1047-04 - 09 XX

- Packing type
 - 1: Mix packing
 - 2: Separation packing
- Cover Material
 - M: Metal(Znic alloy)
- Positions
 - 09: 9pin

BOM LIST

ITEM	PART NAME	Q'ty	NOTES
1	SCREW	2	M2
2	METAL HOOD-1	1	
3	BOLT	1	UNC#4-40
4	METAL HOOD-2	1	



GENERAL TOLERANCE	ANGLE TOLERANCE
X. ±0.60	X. ±5°
.X ±0.38	.X ±3°
.XX ±0.25	.XX ±2°

PROJECTION	TITLE	D-SUB 9pin Metal Hoods Large Angled Cable Outlet	
UNITS	mm	SHEET SIZE	A4
SHEET SIZE	A4	SERIES	DS1047-04 SERIES

DRAWING TYPE	CUSTOMER		
SCALE	1:1	SHEET	1 OF 1
DRAWING NO.	C-DS1047-04-09XX		

Allconnectors

www.allconnectors.eu | info@allconnectors.eu
Tel. +49 (0)711 / 358 110 20 | Fax +49 (0)711 / 358 110 25

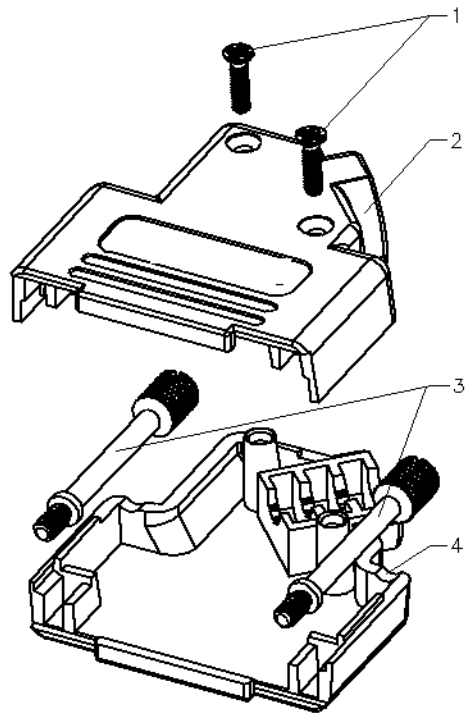
REV.	DESCRIPTION	DRAWN	CHECKED	APPROVED
A	NEW RELEASE	YCH 12/31/09'	~	

NOTES:

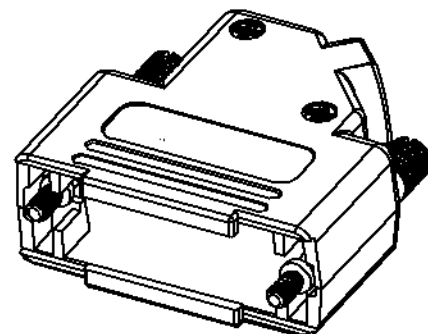
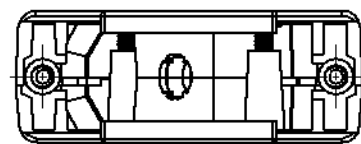
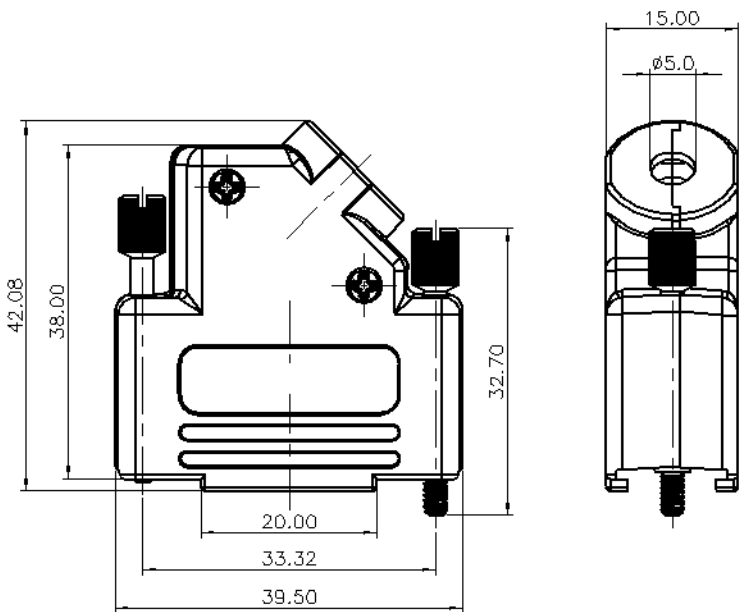
1. PART NUMBER CODE:

DS1047-04 - 15 X X

- Packing type
- 1: Mix packing
- 2: Separation packing
- Cover Material
- M: Metal(Znic alloy)
- Positions
- 15: 15pin



BOM LIST			
ITEM	PART NAME	Q'ty	NOTES
1	SCREW	2	M2
2	METAL HOOD-1	1	
3	BOLT	2	UNC#4-40
4	METAL HOOD-2	1	



GENERAL TOLERANCE	ANGLE TOLERANCE
X. ±0.60	X. ±5°
.X ±0.38	.X ±3°
.XX ±0.25	.XX ±2°

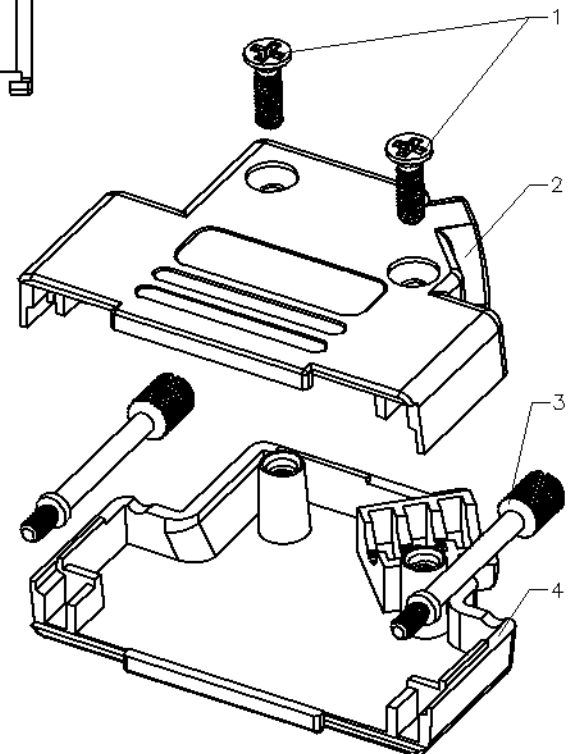
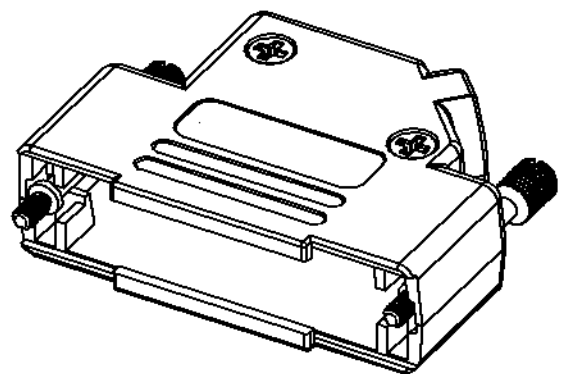
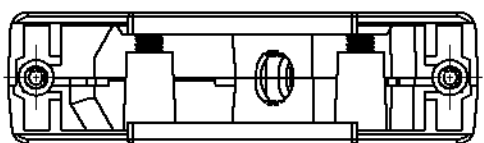
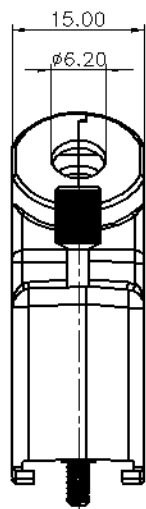
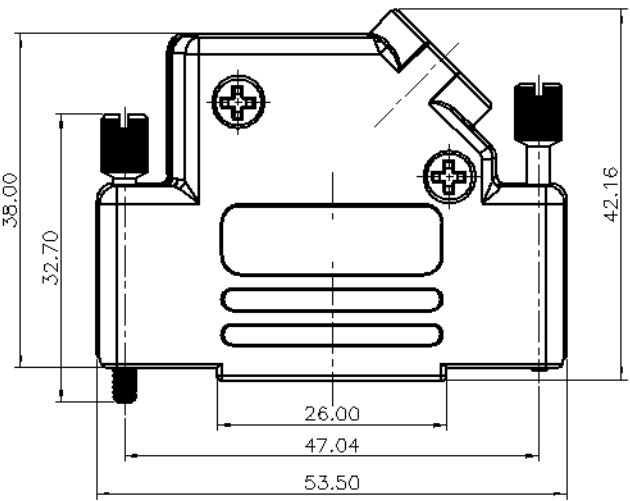
PROJECTION	TITLE	D-SUB 15pin Metal Hoods Large Angled Cable Outlet	
UNITS	mm	SHEET SIZE	A4
SHEET SIZE	A4	SERIES	DS1047-04 SERIES

DRAWING TYPE	CUSTOMER		
SCALE	1:1	SHEET	1 OF 1
DRAWING NO.	C-DS1047-04-15XX		

Allconnectors

www.allconnectors.eu | info@allconnectors.eu
Tel. +49 (0)711 / 358 110 20 | Fax +49 (0)711 / 358 110 25

REV.	DESCRIPTION	DRAWN	CHECKED	APPROVED
A	NEW RELEASE	YCH 12/31/09'	~	



NOTES:

1. PART NUMBER CODE:
DS1047-04 - 25 X X

- Packing type
 - 1: Mix packing
 - 2: Separation packing
- Cover Material
 - M: Metal(Znic alloy)
- Positions
 - 25: 25pin

BOM LIST			
ITEM	PART NAME	Q'ty	NOTES
1	SCREW	2	M3
2	METAL HOOD-1	1	
3	BOLT	2	UNC#4-40
4	METAL HOOD-2	1	

GENERAL TOLERANCE	ANGLE TOLERANCE
X. ±0.60	X. ±5°
.X ±0.38	.X ±3°
.XX ±0.25	.XX ±2°

PROJECTION	TITLE	D-SUB 25pin Metal Hoods Large Angled Cable Outlet	
UNITS	mm	SHEET SIZE	A4
SHEET SIZE	A4	SERIES	DS1047-04 SERIES

DRAWING TYPE	CUSTOMER		
SCALE	1:1	SHEET	1 OF 1
DRAWING NO.	C-DS1047-04-25XX		

Allconnectors

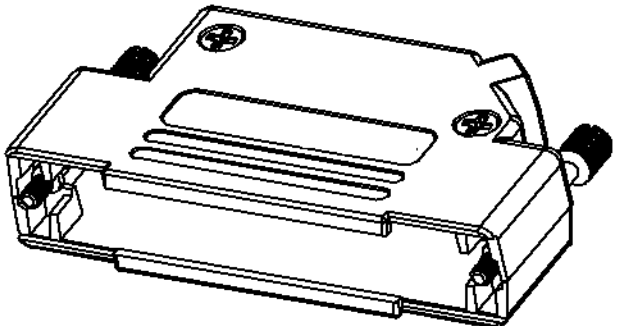
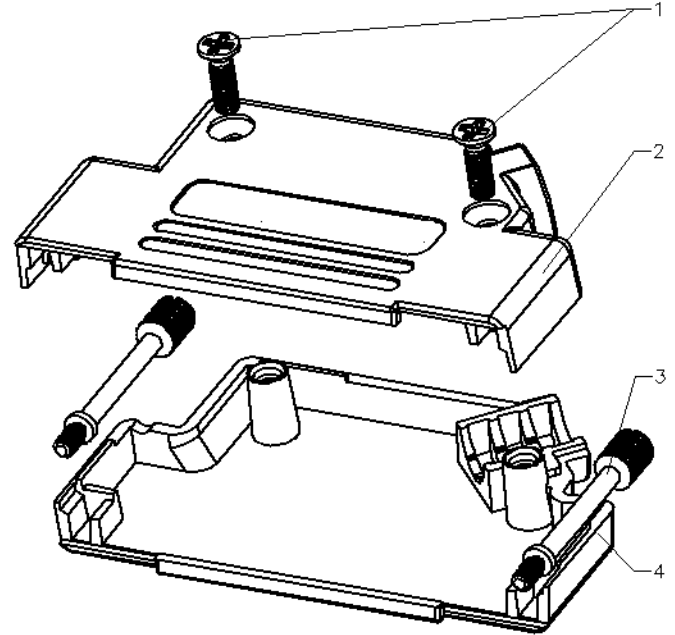
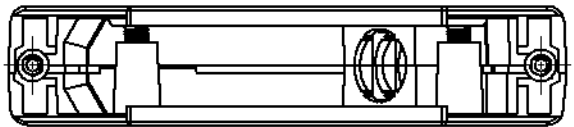
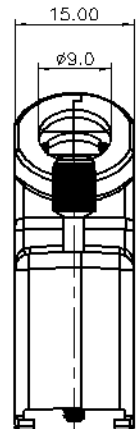
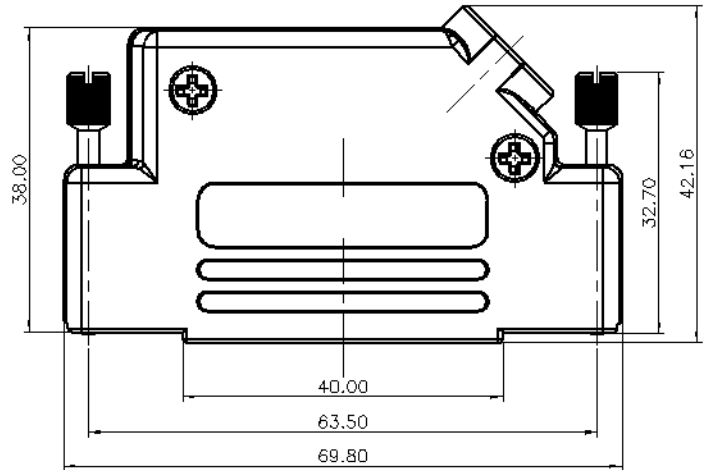
www.allconnectors.eu | info@allconnectors.eu
Tel. +49 (0)711 / 358 110 20 | Fax +49 (0)711 / 358 110 25

REV.	DESCRIPTION	DRAWN	CHECKED	APPROVED
A	NEW RELEASE	YCH 12/31/09'	~	

NOTES:

1. PART NUMBER CODE:
DS1047-04 - 37 X X

- Packing type
 - 1: Mix packing
 - 2: Separation packing
- Cover Material
 - M: Metal(Znic alloy)
- Positions
 - 37: 37pin



BOM LIST			
ITEM	PART NAME	Q'ty	NOTES
1	SCREW	2	M3
2	METAL HOOD-1	1	
3	BOLT	2	UNC#4-40
4	METAL HOOD-2	1	

GENERAL TOLERANCE		ANGLE TOLERANCE		PROJECTION		TITLE	D-SUB 37pin Metal Hoods Large Angled Cable Outlet	
X.	±0.60	X.	±5°	UNITS	mm			
.X	±0.38	.X	±3°	SHEET SIZE	A4	SERIES	DS1047-04 SERIES	
.XX	±0.25	.XX	±2°	 www.allconnectors.eu info@allconnectors.eu Tel. +49 (0)711 / 358 110 20 Fax +49 (0)711 / 358 110 25				
DRAWING TYPE		CUSTOMER						
SCALE	1:1	SHEET	1 OF 1					
DRAWING NO.		C-DS1047-04-37XX						