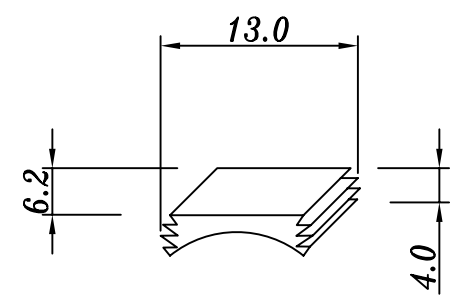
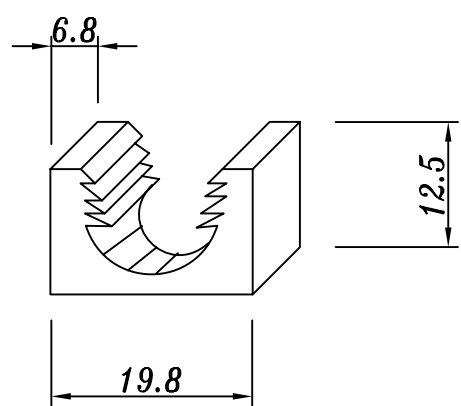
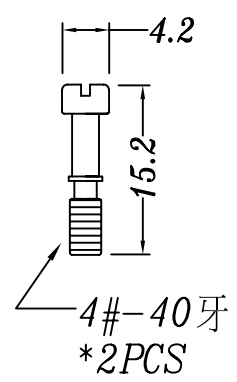
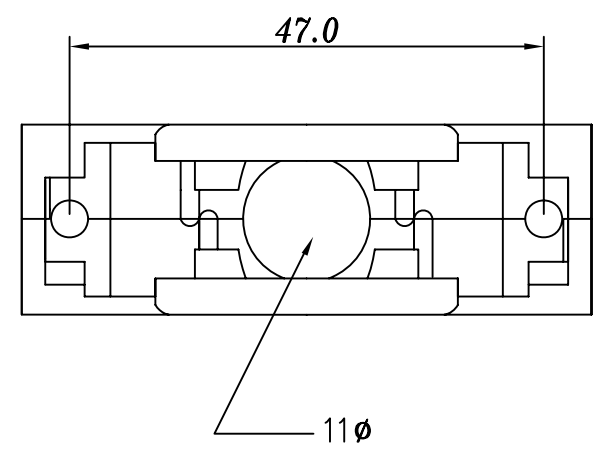
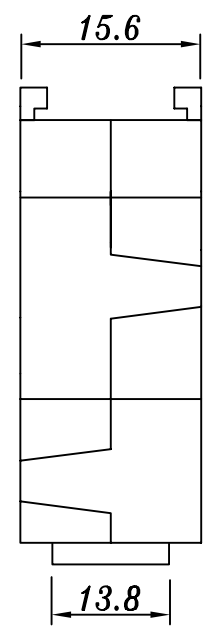
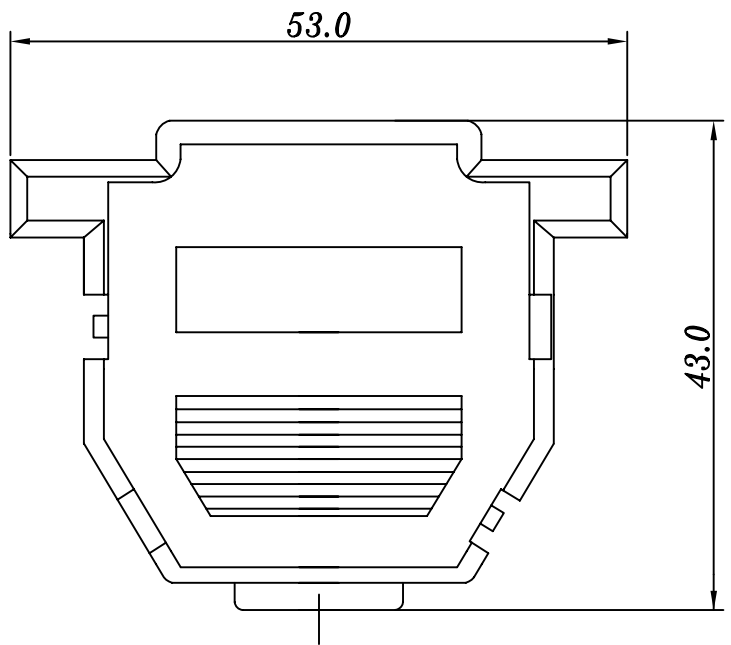



1 2 3 4 5 6 7 8 9 0

J
I
H
G
F
E
D
C
B
A



Allconnectors
www.allconnectors.eu | info@allconnectors.eu
Tel. +49 (0)711 / 358 110 20 | Fax +49 (0)711 / 358 110 25

PART NO. DQ-G1-25		APPROVED BY CY		TOLERANCES ARE		DESCRIPTION: D SUB QUICK HOOD	
DWG NO. DQ-G1-25		DRAWING BY		.X .XX .XXX AWG		AREA	
FILE NO.		PROJECTION 		REVISIONS		HK	
UNIT / mm	SCALE 1:1	DATE					