

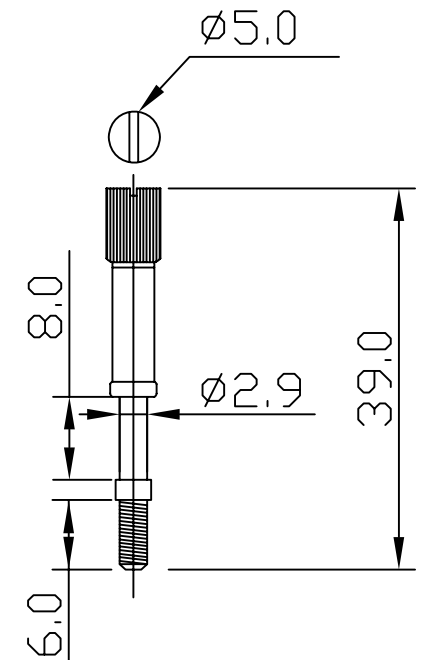
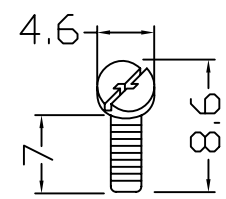
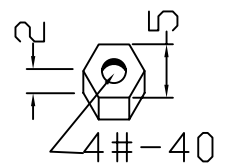
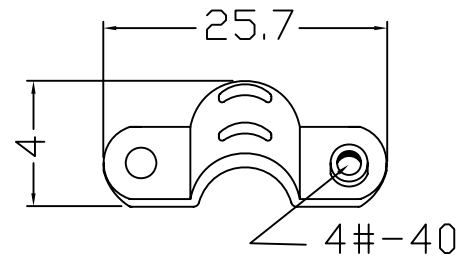
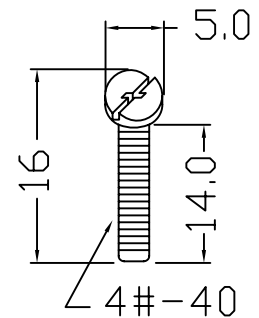
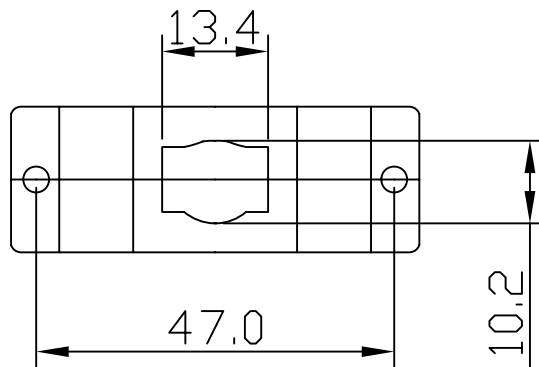
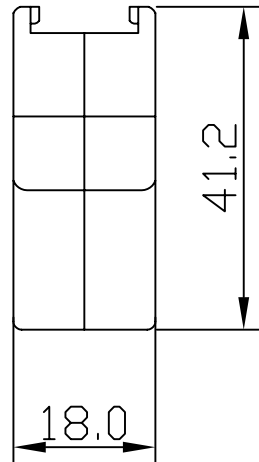
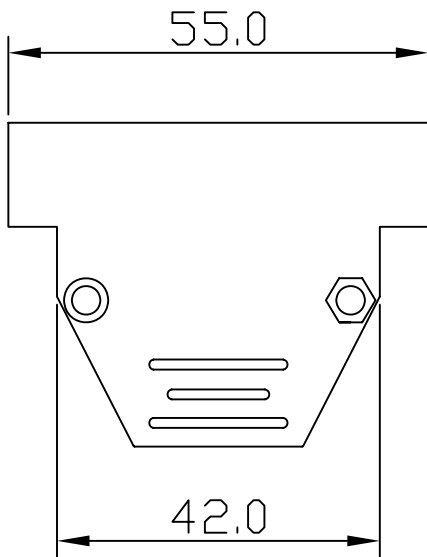
1 2 3 4 5 6 7 8 9 0

J  
I  
H  
G  
F  
E  
D  
C  
B  
A

MATERIAL  
 Hood:ABS UL 94HB  
 Screw:steel with Nickel plated  
 Cable Clipper:Steel with Nickel plated

DKH-K1-25-LF

RoHS Compliant LEADFREE



PART NO. DKH-K1-25		CHECKED BY CY		TOLERANCES ARE .X ± 0.2 .XX ± .XXX ± AWG	DESCRIP TION:			
DWG NO. DKH-K1-25		DRAWING BY			AREA	REVISIONS	HK	DATE
FILE NO.		PROJECTION						
UNIT / mm	SCALE 1:1							