

1 2 3 4 5 6 7 8 9 0

J

I

H

G

F

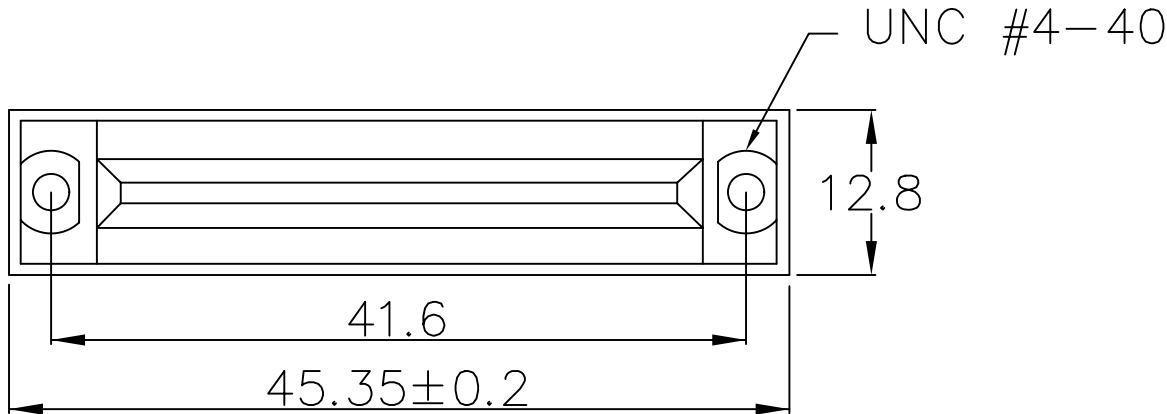
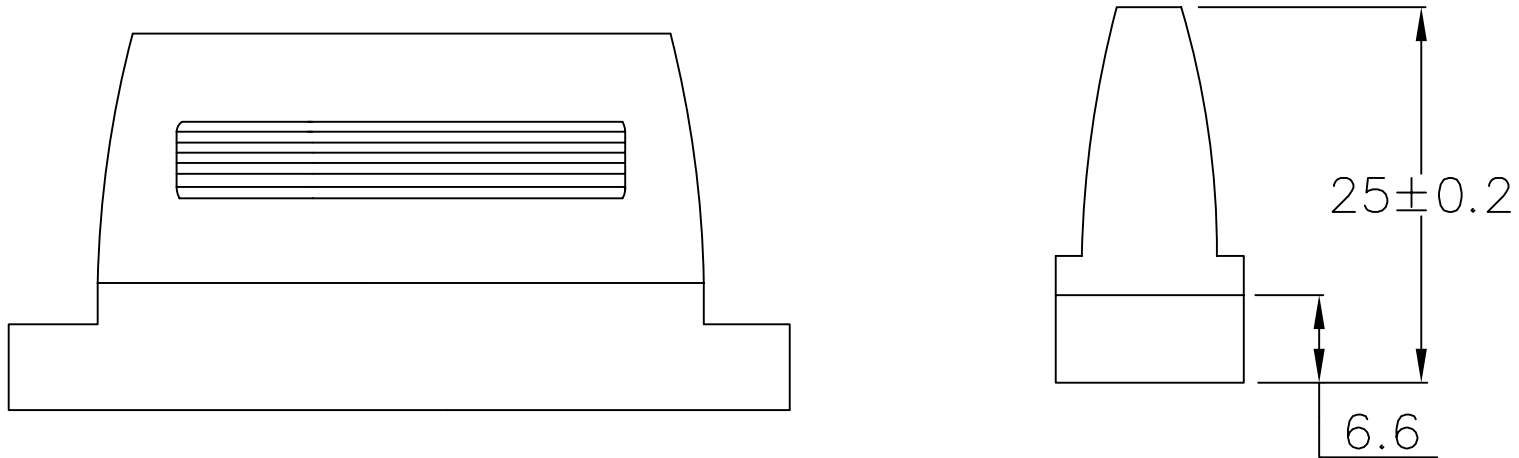
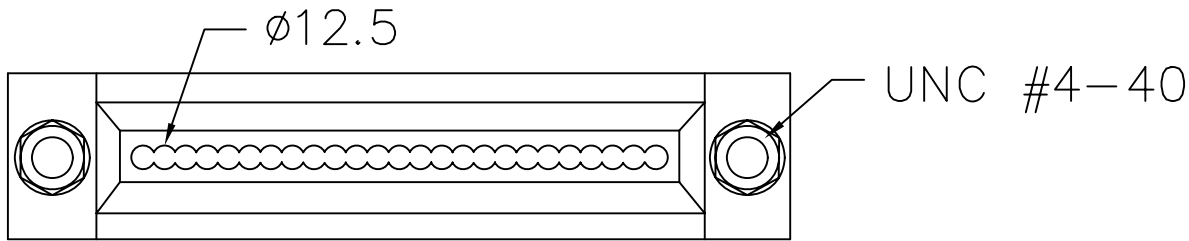
E

D

C

B

A



PART NO. DKA-N-2525		CHECKED BY CY		TOLERANCES ARE .X ± 0.2 .XX ± .XXX ± AWG	DESCRIP TION:			
DWG NO. DKA-N-2525		DRAWING BY			AREA	REVISIONS	HK	DATE
FILE NO.		PROJECTION						
UNIT / mm	SCALE 1:1							

All Connectors

www.allconnectors.eu | info@allconnectors.eu
Tel. +49 (0)711 / 358 110 20 | Fax +49 (0)711 / 358 110 25