

1 2 3 4 5 6 7 8 9 0

J

I

H

G

F

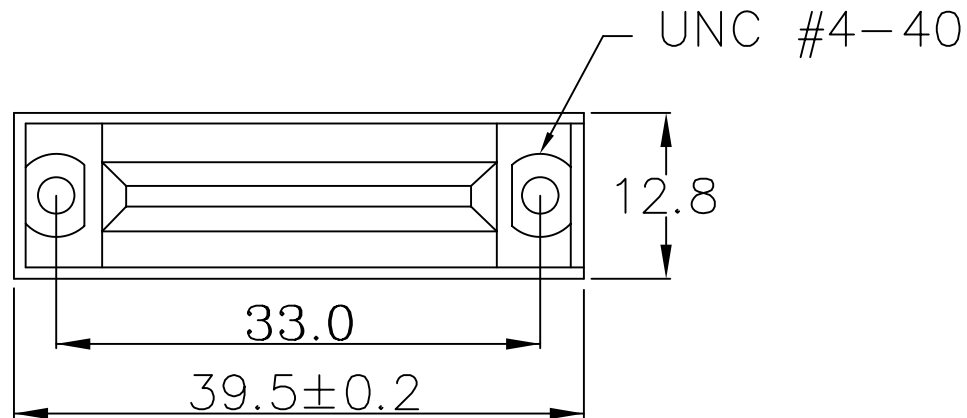
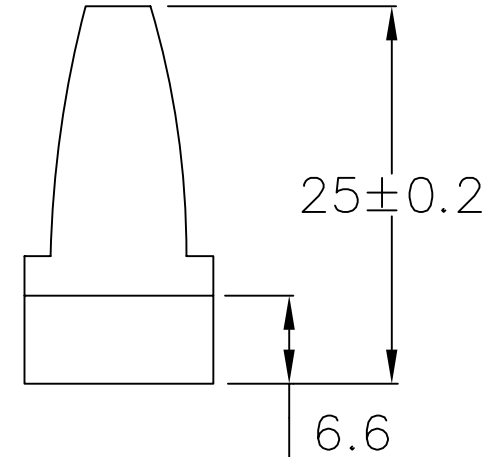
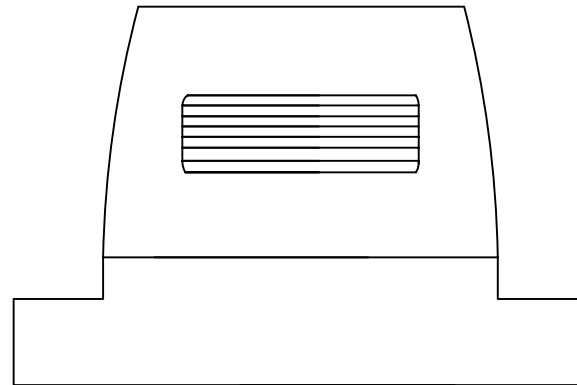
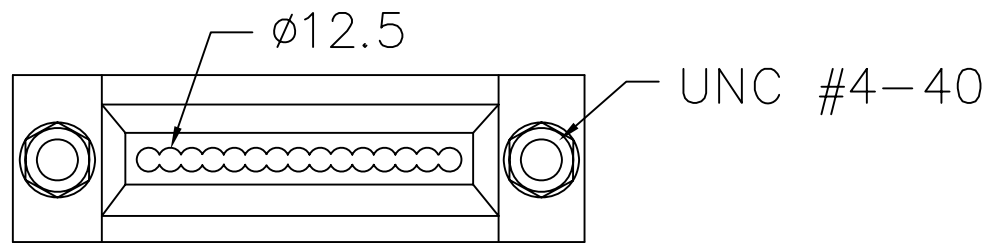
E

D

C

B

A



All Connectors

www.allconnectors.eu | info@allconnectors.eu
Tel. +49 (0)711 / 358 110 20 | Fax +49 (0)711 / 358 110 25

PART NO. DKA-N-1515

DWG NO. DKA-N-1515

FILE NO.

UNIT / mm

SCALE 1:1

CHECKED BY CY

DRAWING BY

PROJECTION 

TOLERANCES ARE

.X ± 0.2
.XX \pm
.XXX \pm
AWG

DESCRIP TION:				
	AREA	REVISIONS	HK	DATE