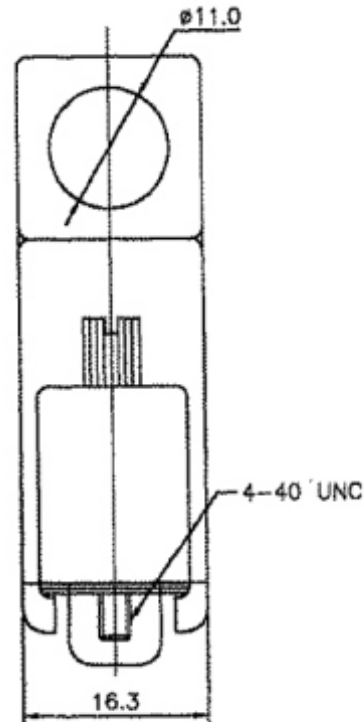
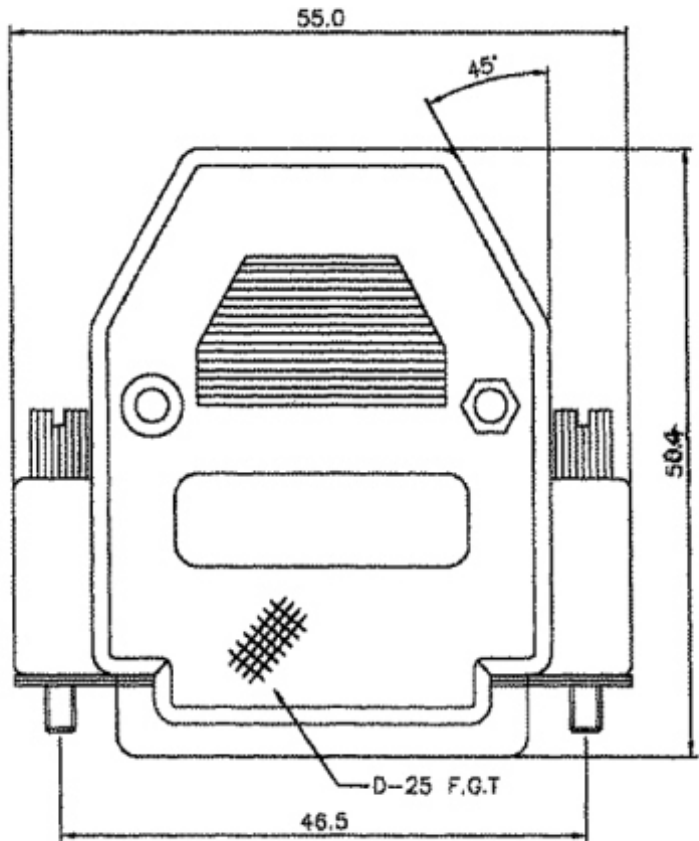


SERIES D--SUB MINIATURE ACCESSORIES
 25P, LONG SCREW
 HOOD MATERIAL: CRS/POLYESTER
 FINISH: A> HOOD - CHROME PLATED
 B> SCREW NUT & CLIP AND OTHER, NICKEL PLATED



DHRL-x1T-25-LF
 LEADFREE
 G:GRAY
 K:BLACK
 C:CHROMATE

RoHS Compliant

PART NO. DHRL-x1T-25		CHECKED BY CY		TOLERANCES ARE .X ± 0.2 .XX ± 0.1 .XXX ± AWG	DESCRIP TION:				
DWG NO. DHRL-x1T-25		DRAWING BY							
UNIT / mm		SCALE 1 : 1	PROJECTION	AREA	REVISIONS	HK	DATE		