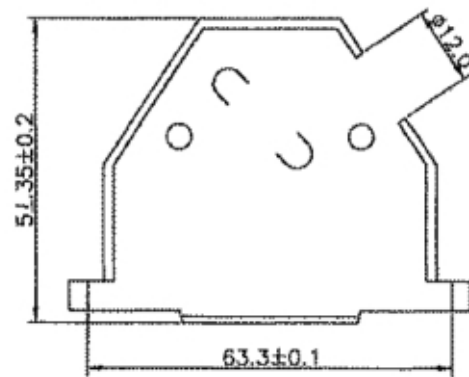
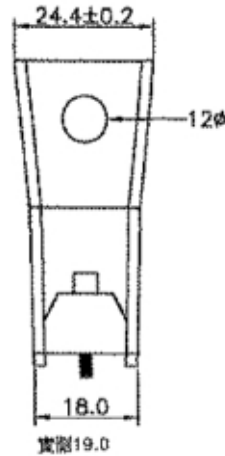
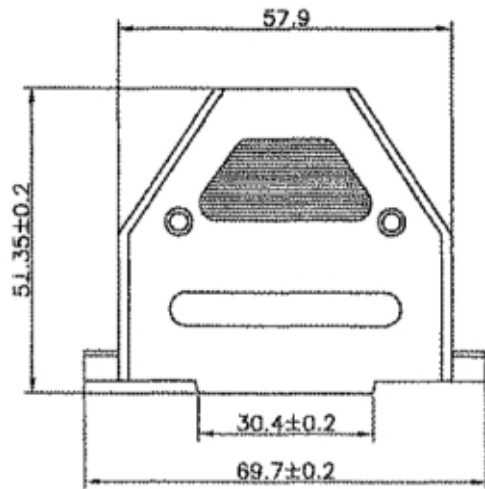


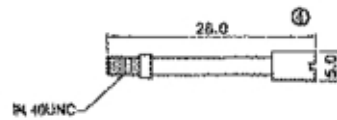
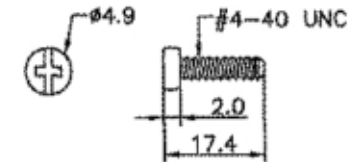
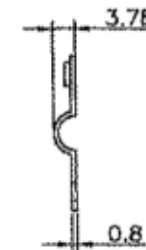
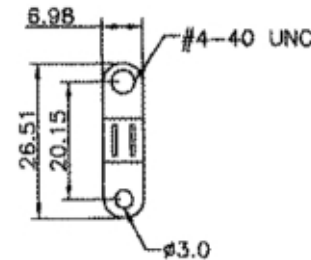
SERIES D--SUB MINIATURE ACCESSORIES
 37P, LONG SCREW
 HOOD MATERIAL: CRS/POLYESTER
 FINISH: A> HOOD - CHROME PLATED
 B> SCREW NUT & CLIP AND OTHER, NICKEL PLATED

DHR-x1x-37-LF
 LEADFREE

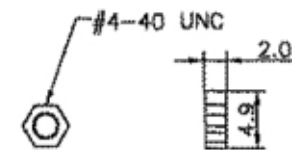
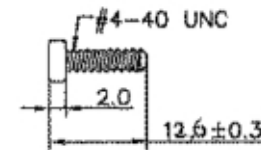
G1 :GREY
 K1 :BLACK
 C1 :CHROMATE
 G1T:GREY+THUMBSCREW
 K1T:BLACK+THUMBSCREW
 C1T:CHROMATE+THUMBSCREW



NOTE: GENERAL TOLERANCE: ±0.2mm



THUMBSCREW



PART NO. DHR-x1x-37		CHECKED BY CY		TOLERANCES ARE .X ± 0.2 .XX ± 0.1 .XXX ± AWG	DESCRIP TION:			
DWG NO. DHR-x1x-37		DRAWING BY						
FILE NO.		PROJECTION		AREA	REVISIONS	HK	DATE	
UNIT / mm	SCALE 1:1							