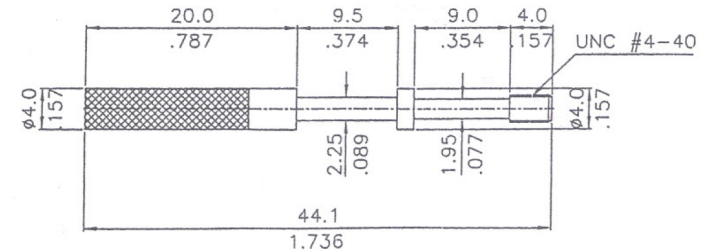
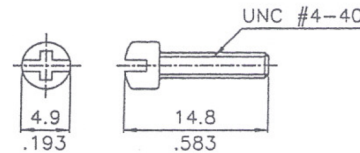
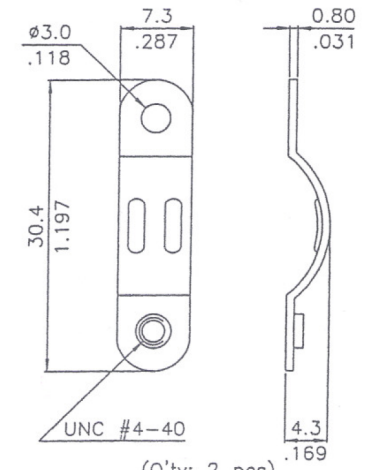
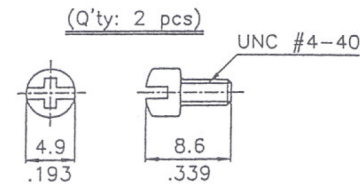
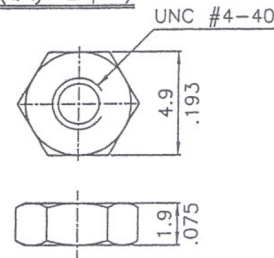


Material:  
 Insulator: ABS, UL94HB  
 Package: 1 Kit/Bag



(Q'ty: 2 pcs)

(Q'ty: 2 pcs)



(Q'ty: 2 pcs)

(Q'ty: 2 pcs)

DHL-x1T-37-LF  
 LEADFREE  
 K:BLACK  
 G:GREY  
 C:METALIZED

RoHS Compliant

**Allconnectors**

www.allconnectors.eu | info@allconnectors.eu  
 Tel: +49 (0)711 / 358 110 20 | Fax +49 (0)711 / 358 110 25

PART NO. DHL-x1T-37

DWG NO. DHL-x1T-37

FILE NO.

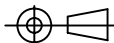
UNIT / mm

SCALE 1:1

CHECKED BY CY

DRAWING BY

PROJECTION



TOLERANCES ARE

.X ± 0.2  
 .XX ±  
 .XXX ±  
 AWG

DESCRIPTION:

AREA

REVISIONS

HK

DATE